



**Focus  
On  
Cylinder**



电话/TEL:+0086-0577-86411186  
传真/FAX:+0086-0577-86411185  
手机/M.T:+0086-13957706696  
地址/ADDRESS:NO.808 YUTENG ROAD TENGQIAOTOWN LUCHENG ZONE,WENZHOU,ZHEJIANG,CHINA

**CYLINDER SUPPLIER SINCE 1999**


温州市钜成金属制品有限公司  
WENZHOU JUCHENG METAL PRODUCTS CO.,LTD



钜成五金

JUCHENG METAL

SINCE 1999



钜成新时代  
钜成的每一个细节  
从设计到做工均考究用心  
经的起最挑剔的目光  
精致生活  
让细节说话  
感知品质与优质的完美融合  
为您开启卓越生活里程

Jucheng new era  
A great detail  
From design to workmanship are exquisite and careful  
The most fastidious eye  
A refined, sophisticated life  
Let the details speak  
Perfect integration of perceived quality and quality  
To open up the remarkable life course for you

# 企业简介

## Enterprise Profile

温州市钜成金属制品有限公司是目前中国专业锁头制造企业之一,是一家集研发、生产、销售于一体的专业锁芯制造企业。公司综合实力较强,在激烈的市场竞争中不断努力,求实进取,严谨认真,与国内外客户建立了良好的供销关系。我们坚持:“质量第一,诚心经营,优质服务”为宗旨,赢得广大用户的支持与信赖。

公司主要生产双排电脑蛇形槽系列以及管理锁,ABC系列,单排电脑蛇形槽系列,新双排槽形系列,双排电脑槽形系列,双排高低槽形系列,双排月牙槽形系列,普通电脑、普通S槽、锌合金电脑系列,铝电脑S槽系列等。竭诚欢迎新老朋友光临洽谈携手合作共创美好未来!

Wenzhou Jucheng Metal Products Co., Ltd. is one of professional lock cylinder manufacturers in China at present, integrating R&D, production and sale. With strong comprehensive strengths, our company has been making constant efforts in the intense market competition. Being practical, aggressive, strict and careful, we've established a good supply and marketing relationship with both domestic and foreign customers. We adhere to such a philosophy: "quality first, honest operation and high-quality service", so we've won support and trust among users.

Our company mainly produces double-row computer snake-groove series, management locks,ABC series, single-row computer snake-groove series, new-type double-row groove-shape series,double-row computer groove-shape series, double-row high/low-groove-shape series, double row crescent-groove-shape series, common computer series, common S-groove series, zinc alloy computer series, aluminum computer S-groove series, etc. We sincerely welcome both old and new friends to carry out talks or cooperate with us to make a bright tomorrow together!

# 颜色代号

## 系列：铜

亮铬	CP
亮镍	NP
镍拉丝	SN
粗镍拉丝	SN
铜拉丝	SB
亮光青古铜	SAB
亮光红古铜	SAC
亮光咖啡	SCF
哑光青古铜	MAB
哑光红古铜	MAC
哑光咖啡	MCF
仿金	GP
K金	KGP
铜罩光	BP
铜本色	BC
铜粘膜	BC
黑	Black
PVD	PVD
玫瑰金	KGB

## 系列：锌合金

亮铬	CP
亮镍	NP
镍拉丝	SN
粗镍拉丝	SN
铜拉丝	SB
亮光青古铜	SAB
亮光红古铜	SAC
亮光咖啡	SCF
哑光青古铜	MAB
哑光红古铜	MAC
哑光咖啡	MCF
K金	KGP
黑	Black
一元仿金	GP
二元仿金	GP
三元仿金	GP
玫瑰金	KGB
电泳青古铜	Electrophoresis AB

## 系列：铝

亮铬	CP
亮镍	NP
镍拉丝	SN
粗镍拉丝	SN
铜拉丝	SB
亮光青古铜	SAB
亮光红古铜	SAC
亮光咖啡	SCF
哑光青古铜	MAB
哑光红古铜	MAC
哑光咖啡	MCF
仿金	GP
K金	KGP
黑	Black
氧化白	YB
白色喷砂	BN
氧化镍	SN
氧化砂镍	SN
玫瑰金	KGB

# CONTENTS/目录

## Brass cylinder series

小S槽单开锁芯  
Small Diameter Normal Key-Knob Cylinder Series



page:1

小S槽双开锁芯  
Small Diameter Normal Key-Key Cylinder Series



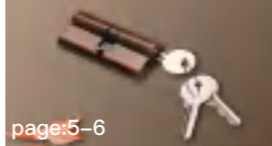
page:2

大S槽单开锁芯  
Normal Key-Knob Cylinder Series



page:3-4

大S槽双开锁芯  
Normal Key-Key Cylinder Series



page:5-6

小电脑单开锁芯  
Small Diameter Computer Key-Knob Cylinder Series



page:7-8

小电脑双开锁芯  
Small Diameter Computer Key-Key Cylinder Series



page:9-10

大电脑单开锁芯  
Computer Key-Knob Cylinder Series



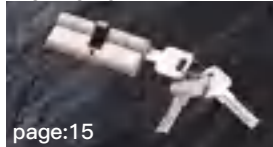
page:11-12

大电脑双开锁芯  
Computer Key-Key Cylinder Series



page:13-14

电脑蛇形双开锁芯  
Computer S-Shaped Key-Key Cylinder Series



page:15

S槽双排单开锁芯  
Normal Double line Key-Knob Cylinder Series



page:16-17

S槽双排双开锁芯  
Normal Double line Key-Key Cylinder Series



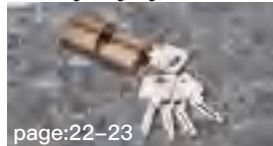
page:18-19

高低齿双排单开锁芯  
Normal High-Low Double line Key-Knob Cylinder Series



page:20-21

高低齿双排双开锁芯  
Normal High-Low Double line Key-Key Cylinder Series



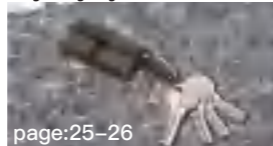
page:22-23

电脑双排单开锁芯  
Computer Double line Key-Knob Cylinder Series



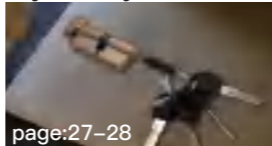
page:24

电脑双排双开锁芯  
Computer Double line Key-Key Cylinder Series



page:25-26

电脑双排蛇形单开锁芯  
Computer Double line S-Shape Key-Knob Cylinder Series



page:27-28

电脑双排蛇形双开锁芯  
Computer Double line S-Shape Key-Key Cylinder Series



page:29-30

不锈钢片电脑锁芯  
Stainless-Steel Bar Computer Cylinder Series



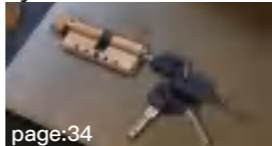
page:31-32

防撬钢梁锁芯  
Steel Beam Computer Cylinder Series



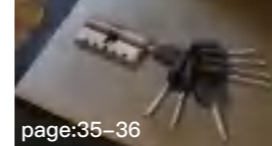
page:33

四排单开锁芯  
Quadruple Line Key-Knob Cylinder Series



page:34

四排双开锁芯  
Quadruple Line Key-Key Cylinder Series



page:35-36

叶片单开锁芯  
Blade Key-Knob Cylinder Series



page:37

叶片双开锁芯  
Blade Key-Key Cylinder Series



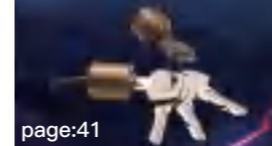
page:38-39

圆柱锁芯  
Column Cylinder Series



page:40

复式圆头锁芯  
Combo Round Cylinder Series



page:41

复式三角形锁芯  
Combo Round-Triangle Cylinder Series



page:42

椭圆锁芯  
Ellipse Cylinder Series



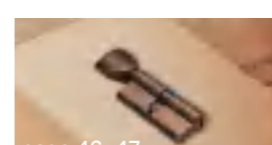
page:43-44

管理锁芯  
Management Cylinder Series



page:45

BK锁芯  
BK Series



page:46-47

铜柄  
Brass Knob



page:48

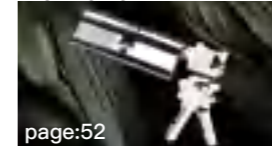
## Zinc cylinder series

小S槽单开锁芯  
Small Diameter Normal Key-Knob Cylinder Series



page:50-51

小S槽双开锁芯  
Small Diameter Normal Key-Key Cylinder Series



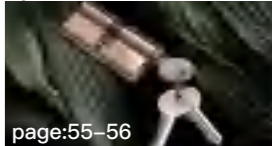
page:52

大S槽单开锁芯  
Normal Key-Knob Cylinder Series



page:53-54

大S槽双开锁芯  
Normal Key-Key Cylinder Series



page:55-56

小电脑单开锁芯  
Small Diameter Computer Key-Knob Cylinder Series



page:57-59

小电脑双开锁芯  
Small Diameter Computer Key-Key Cylinder Series



page:60

大电脑单开锁芯  
Computer Key-Knob Cylinder Series



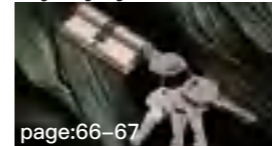
page:61-62

大电脑双开锁芯  
Computer Key-Key Cylinder Series



page:63-65

S槽双排双开锁芯  
Normal Double line Key-Key Cylinder Series



page:66-67

椭圆锁芯  
Ellipse Cylinder Series



page:68-69

叶片单开锁芯  
Blade Key-Knob Cylinder Series



page:70

叶片双开锁芯  
Blade Key-Key Cylinder Series



page:71

BK锁芯  
BK Series



page:72-73

锌柄  
Zinc Knob



page:74

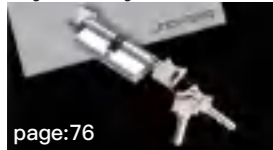
# BRASS SERIES

## 铜系列



## Aluminum cylinder series

小S槽单开锁芯  
Small Diameter Normal  
Key-Knob Cylinder Series



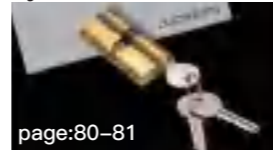
小S槽双开锁芯  
Small Diameter Normal  
Key-Key Cylinder Series



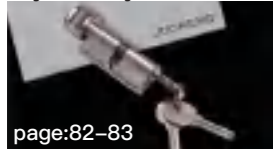
大S槽单开锁芯  
Normal Key-Knob  
Cylinder Series



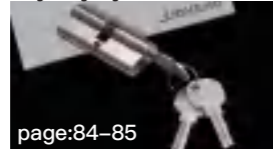
大S槽双开锁芯  
Normal Key-Key  
Cylinder Series



小电脑单开锁芯  
Small Diameter Computer  
Key-Knob Cylinder Series



小电脑双开锁芯  
Small Diameter Computer  
Key-Key Cylinder Series



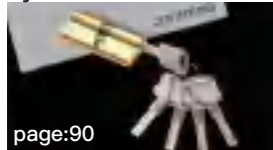
大电脑单开锁芯  
Computer Key-Knob  
Cylinder Series



大电脑双开锁芯  
Computer Key-Key  
Cylinder Series



叶片双开锁芯  
Blade Key-Key  
Cylinder Series



铝柄  
Aluminum Knob



## Key Series

铜电脑钥匙  
Brass Computer Key



铜S槽钥匙  
Brass Normal Key



双排钥匙  
Double Line Key



塑料柄铜钥匙  
Plastic Handle Key



特殊钥匙  
Special Key



铁S槽钥匙  
Iron Normal Key



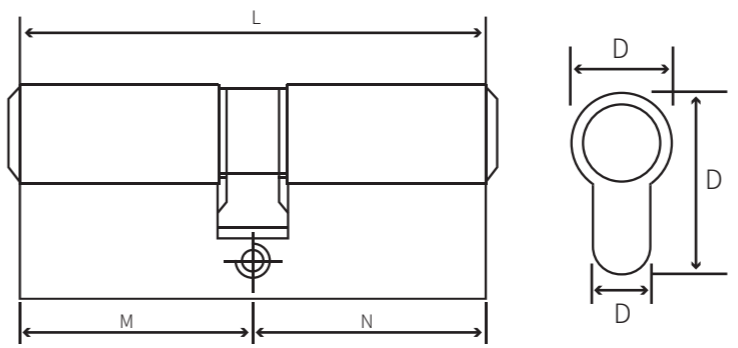
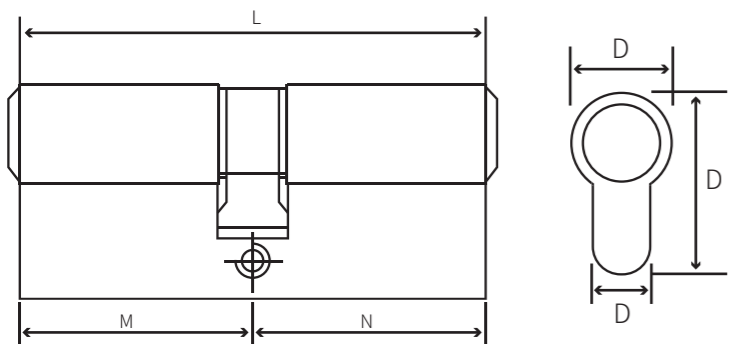
铁电脑钥匙  
Iron Computer Key





Small Diameter Normal Key-Knob Cylinder Series 小S槽单开锁芯

Small Diameter Normal Key-Key Cylinder Series 小S槽双开锁芯



材质:铜 Material:brass	配置/Provided with:
尺寸:70mm Size:70mm	螺丝 screw
表面处理:铜拉丝 Surface:SB	钥匙 key

材质:铜 Material:brass	配置/Provided with:
尺寸:70mm Size:70mm	螺丝 screw
表面处理:铜拉丝 Surface:SB	钥匙 key

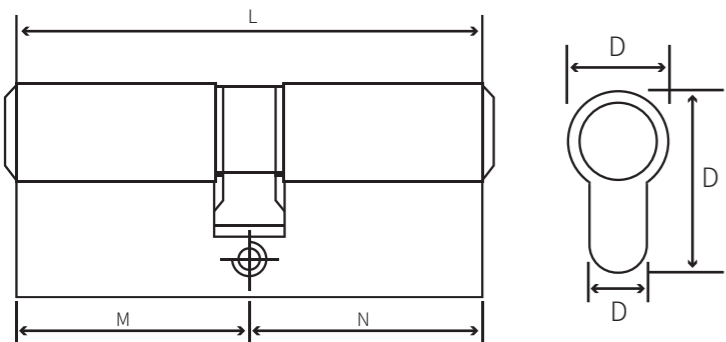
规格/Size			外径/Diameter
L	M	N	D
All size	All size	All size	All size

规格/Size			外径/Diameter
L	M	N	D
All size	All size	All size	All size



Normal Key-Knob Cylinder Series

大S槽单开锁芯



材质:铜  
Material:brass

配置/Provided with:

尺寸:70mm  
Size:70mm

螺丝  
screw

表面处理:粗镍拉丝  
Surface:SN

钥匙  
key

规格/Size			外径/Diameter
L	M	N	D
All size	All size	All size	All size



大S槽单开锁芯系列

Normal Key-Knob Cylinder Series
表面处理:镍拉丝
Surface:SN
材质:铜
Material:brass



大S槽单开锁芯系列

Normal Key-Knob Cylinder Series
表面处理:K金
Surface:KGP
材质:铜
Material:brass



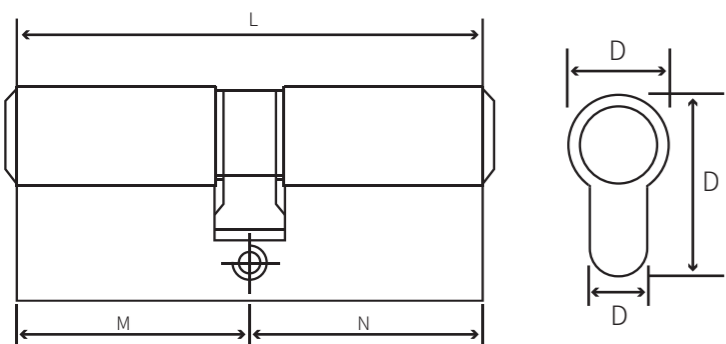
大S槽单开锁芯系列

Normal Key-Knob Cylinder Series
表面处理:哑光红古铜
Surface:MAC
材质:铜
Material:brass





Normal Key-Key Cylinder Series 大S槽双开锁芯



材质:铜  
Material:brass

配置/Provided with:

尺寸:70mm  
Size:70mm

螺丝  
screw

表面处理:亮光咖啡  
Surface:SCF

钥匙  
key

规格/Size			外径/Diameter
L	M	N	D
All size	All size	All size	All size



大S槽双开锁芯系列

Normal Key-Key Cylinder Series
表面处理:铜拉丝
Surface:SB
材质:铜
Material:brass



大S槽双开锁芯系列

Normal Key-Key Cylinder Series
表面处理:镍拉丝
Surface:SN
材质:铜
Material:brass



大S槽双开锁芯系列

Normal Key-Key Cylinder Series
表面处理:K金
Surface:KGP
材质:铜
Material:brass



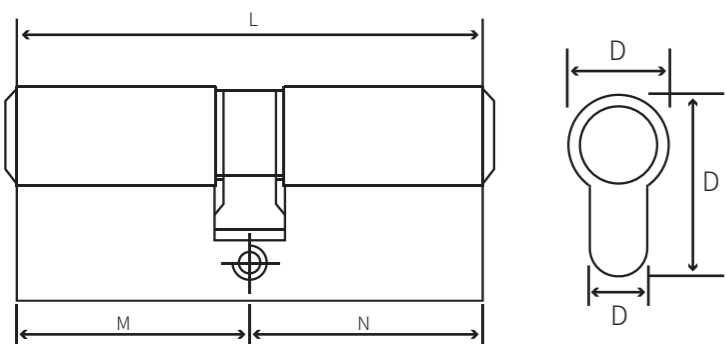
Small Diameter Computer Key-Knob Cylinder Series

表面处理: 铜拉丝
Surface: SB
材质: 铜
Material: brass

Small Diameter Computer Key-Knob Cylinder Series

表面处理: 亮光红古铜
Surface: SAC
材质: 铜
Material: brass

Small Diameter Computer Key-Knob Cylinder Series 小电脑单开锁芯



规格/Size			外径/Diameter
L	M	N	D
All size	All size	All size	All size

材质: 铜 Material: brass	配置/Provided with:
尺寸: 70mm Size: 70mm	螺丝 screw
表面处理: 仿金 Surface: GP	钥匙 key



Small Diameter Computer Key-Knob Cylinder Series

表面处理: 亮光青古铜
Surface: SAB
材质: 铜
Material: brass

Small Diameter Computer Key-Knob Cylinder Series

表面处理: 亮铬
Surface: CP
材质: 铜
Material: brass

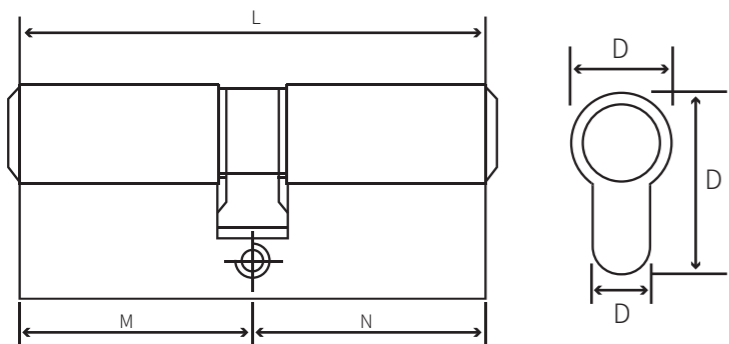


Small Diameter Computer Key-Key Cylinder Series

表面处理: 亮光红古铜  
Surface: SAC

材质: 铜  
Material: brass

Small Diameter Computer Key-Key Cylinder Series 小电脑双开锁芯



规格/Size			外径/Diameter
L	M	N	D
All size	All size	All size	All size

材质: 铜  
Material: brass

配置/Provided with:

尺寸: 70mm  
Size: 70mm

螺丝  
screw

表面处理: 亮光青古铜  
Surface: SAB

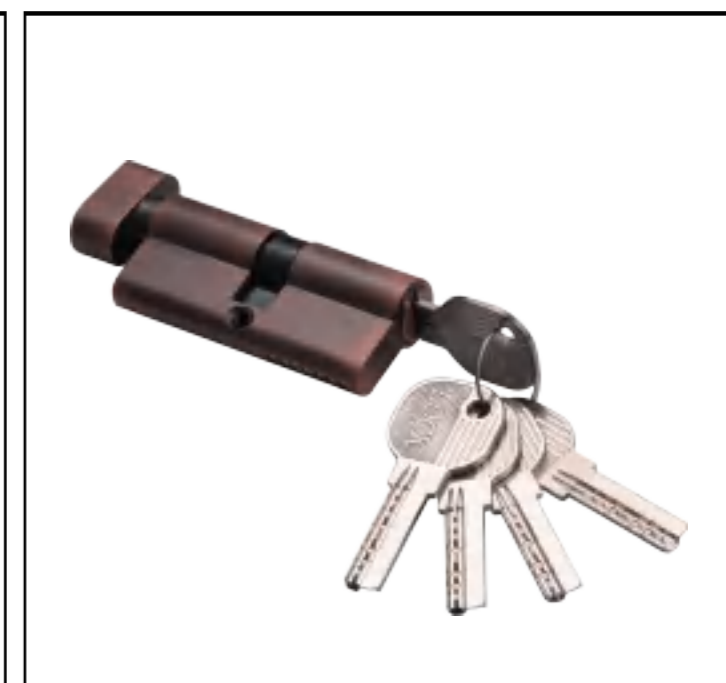
钥匙  
key



Small Diameter Computer Key-Key Cylinder Series

表面处理: 镍拉丝  
Surface: SN

材质: 铜  
Material: brass



Computer Key-Knob Cylinder Series

表面处理: 亮光红古铜

Surface: SAC

材质: 铜

Material: brass

Computer Key-Knob Cylinder Series

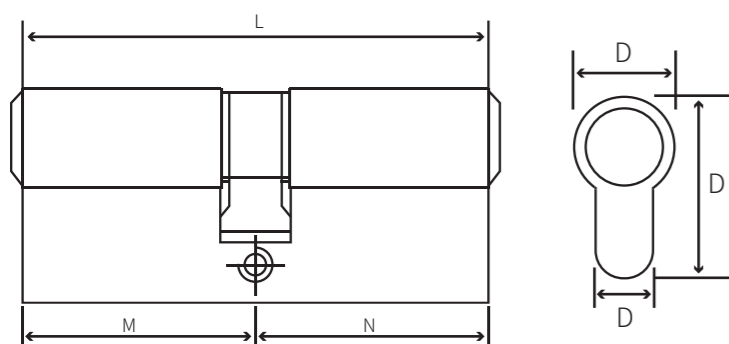
表面处理: 哑光红古铜

Surface: MAC

材质: 铜

Material: brass

Computer Key-Knob Cylinder Series 大电脑单开锁芯



规格/Size			外径/Diameter
L	M	N	D
All size	All size	All size	All size

材质: 铜  
Material: brass

配置/Provided with:

尺寸: 70mm  
Size: 70mm

螺丝  
screw

表面处理: 亮铬  
Surface: CP

钥匙  
key



Computer Key-Knob Cylinder Series

表面处理: 铜拉丝

Surface: SB

材质: 铜

Material: brass



Computer Key-Knob Cylinder Series

表面处理: 仿金

Surface: GP

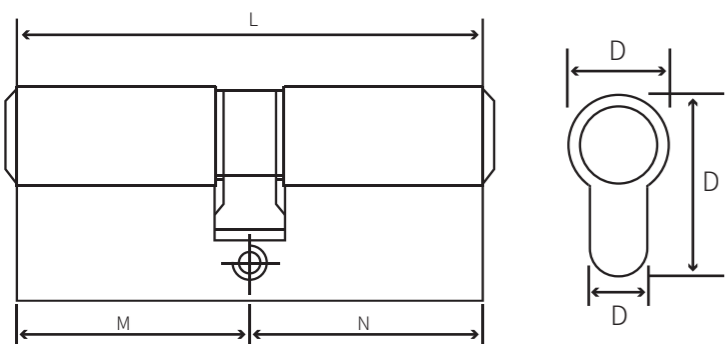
材质: 铜

Material: brass



Computer Key-Key Cylinder Series

大电脑双开锁芯



材质:铜  
Material:brass

配置/Provided with:

尺寸:70mm  
Size:70mm

螺丝  
screw

表面处理:K金  
Surface:KGP

钥匙  
key

规格/Size			外径/Diameter
L	M	N	D
All size	All size	All size	All size



表面处理:铜拉丝

材质:铜

Surface:SB

Material:brass



表面处理:亮铬

材质:铜

Surface:CP

Material:brass



表面处理:亮光咖啡

材质:铜

Surface:SCF

Material:brass



表面处理:亮光青古铜

材质:铜

Surface:SAB

Material:brass

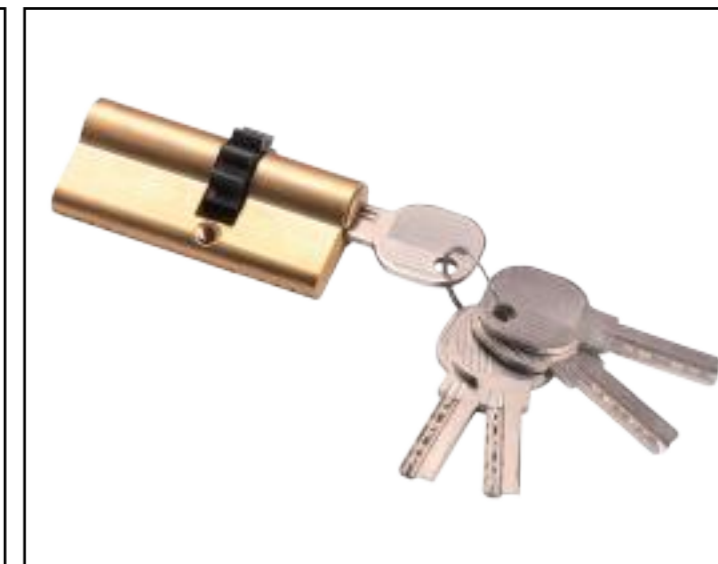


表面处理:镍拉丝

材质:铜

Surface:SN

Material:brass



表面处理:铜本色

材质:铜

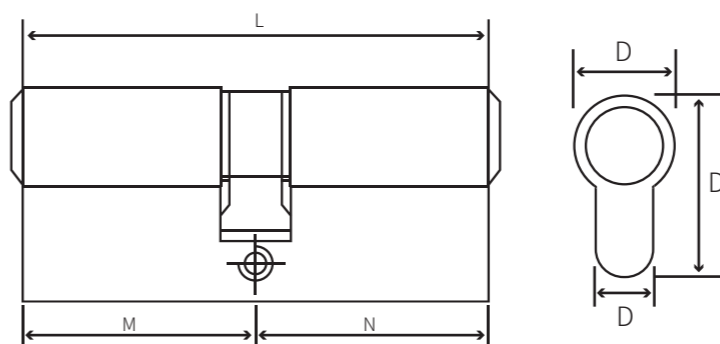
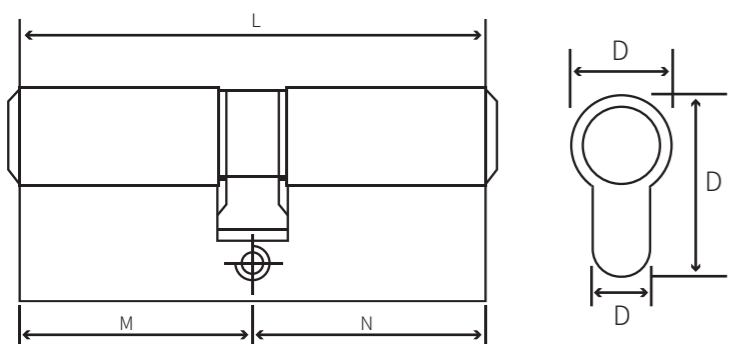
Surface:BC

Material:brass



Computer S-Shaped Key-Key Cylinder Serieses 电脑蛇形双开锁芯

Normal Double line Key-Knob Cylinder Series S槽双排单开锁芯



规格/Size			外径/Diameter
L	M	N	D
All size	All size	All size	All size

规格/Size			外径/Diameter
L	M	N	D
All size	All size	All size	All size

材质:铜  
Material:brass

配置/Provided with:  
螺丝  
screw

尺寸:70mm  
Size:70mm

表面处理:镍拉丝  
Surface:SN

钥匙  
key

材质:铜  
Material:brass

配置/Provided with:  
螺丝  
screw

尺寸:70mm  
Size:70mm

表面处理:亮光咖啡  
Surface:SCF

钥匙  
key



S槽双排单开锁芯系列

Normal Double line Key-Knob Cylinder Series

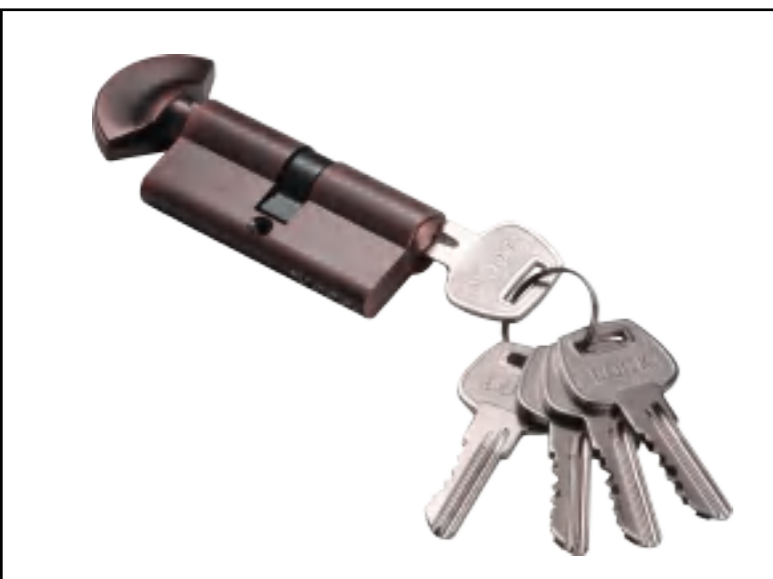
表面处理: 亮光红古铜
Surface: SAC
材质: 铜
Material: brass



S槽双排单开锁芯系列

Normal Double line Key-Knob Cylinder Series

表面处理: 镍拉丝
Surface: SN
材质: 铜
Material: brass



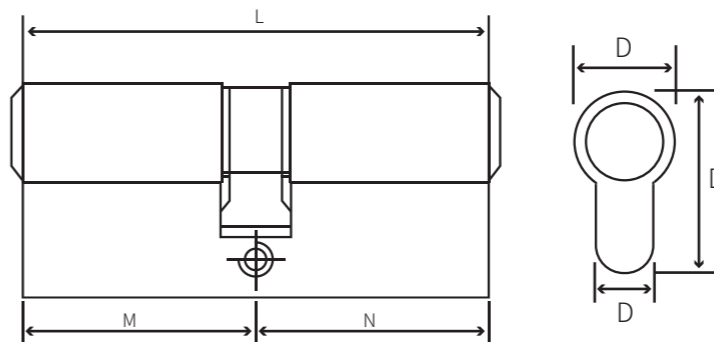
S槽双排单开锁芯系列

Normal Double line Key-Knob Cylinder Series

表面处理: 亮光红古铜
Surface: SAC
材质: 铜
Material: brass



Normal Double line Key-Key Cylinder Series S槽双排双开锁芯



材质: 铜  
Material: brass

尺寸: 70mm  
Size: 70mm

表面处理: 亮光咖啡  
Surface: SCF

配置/Provided with:

螺丝  
screw

钥匙  
key

规格/Size			外径/Diameter
L	M	N	D
All size	All size	All size	All size



表面处理: 哑光青古铜

材质: 铜

Surface: MAB

Material: brass



表面处理: 亮光青古铜

材质: 铜

Surface: SAB

Material: brass



表面处理: K金

材质: 铜

Surface: KGP

Material: brass



表面处理: 仿金

材质: 铜

Surface: GP

Material: brass



### Normal Double line Key-Key Cylinder Series

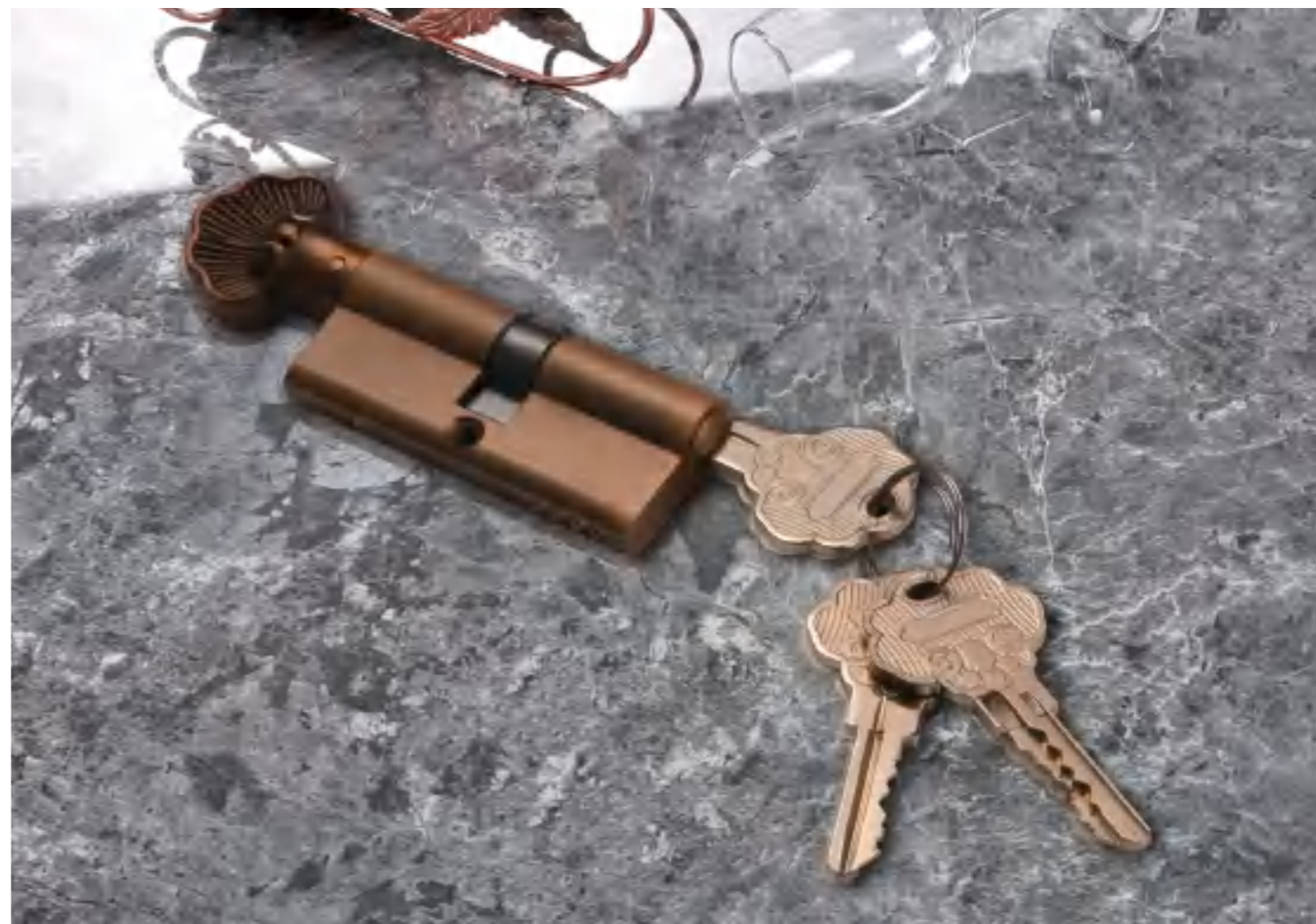
表面处理: 铜拉丝

Surface: SB

材质: 铜

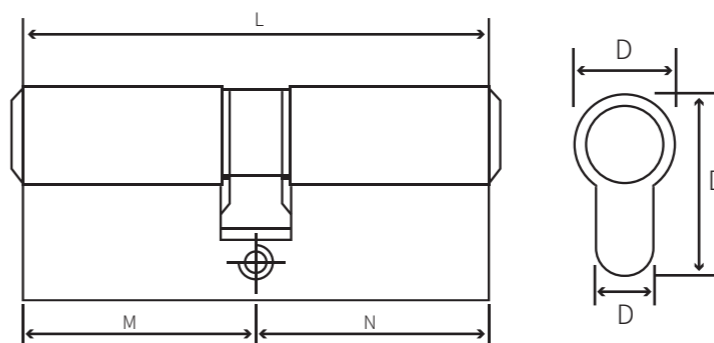
Material: brass

S槽双排双开锁芯系列



## Normal High-Low Double line Key-Knob Cylinder Series

高低齿双排单开锁芯



材质: 铜  
Material: brass

配置/Provided with:

尺寸: 70mm  
Size: 70mm

螺丝  
screw

表面处理: 哑光咖啡  
Surface: MCF

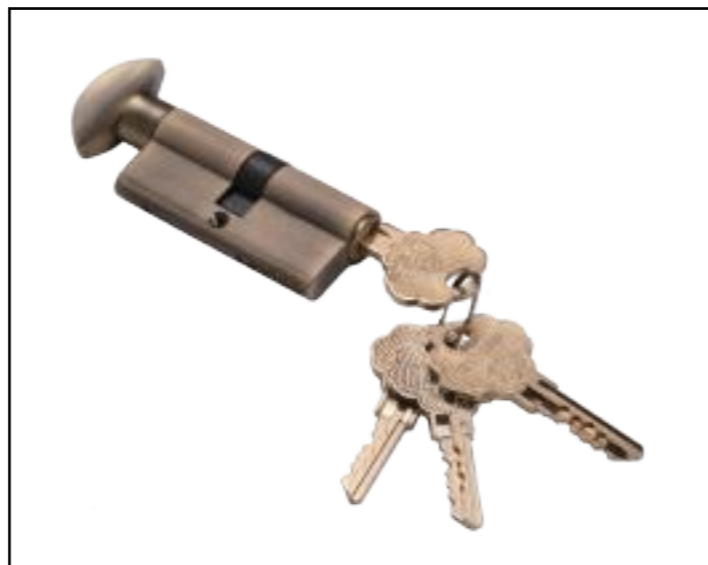
钥匙  
key

规格/Size			外径/Diameter
L	M	N	D
All size	All size	All size	All size





表面处理:亮铬	材质:铜
Surface:CP	Material:brass



表面处理:哑光青古铜	材质:铜
Surface:MAB	Material:brass



表面处理:铜拉丝	材质:铜
Surface:SB	Material:brass

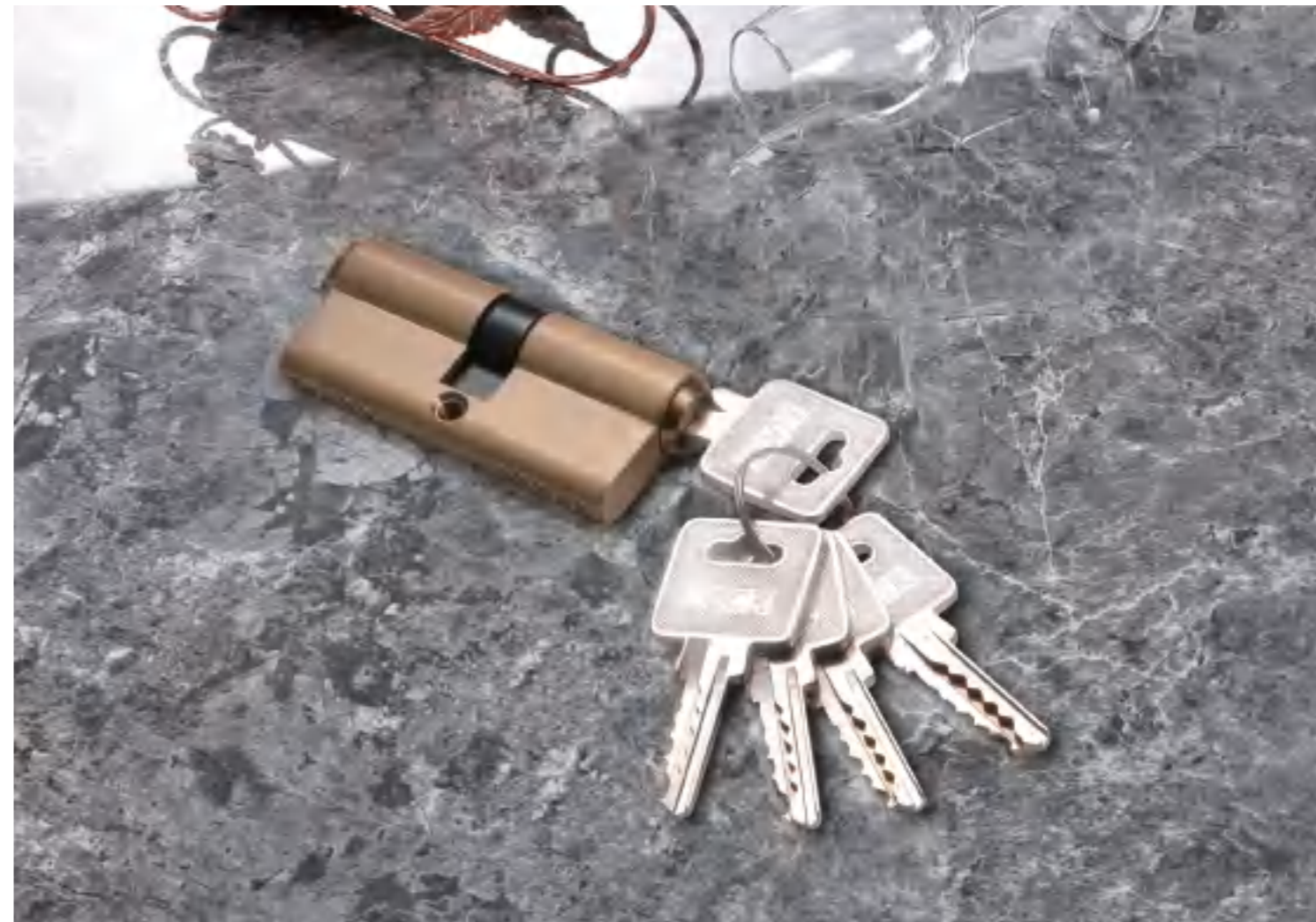


表面处理:K金	材质:铜
Surface:KGP	Material:brass



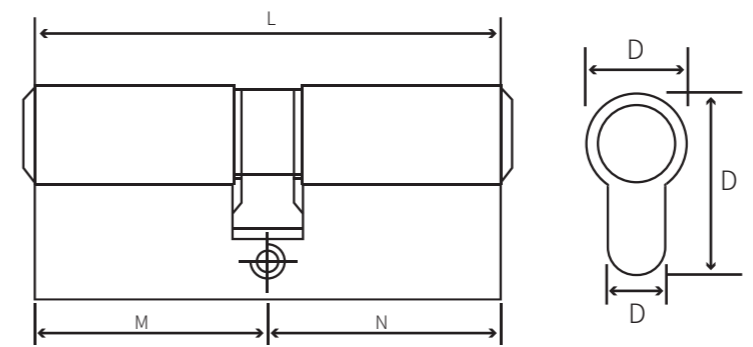
Normal High-Low Double line Key-Knob Cylinder Series	
表面处理:哑光青古铜	
Surface:MAB	
材质:铜	
Material:brass	

高低齿双排单开锁芯系列



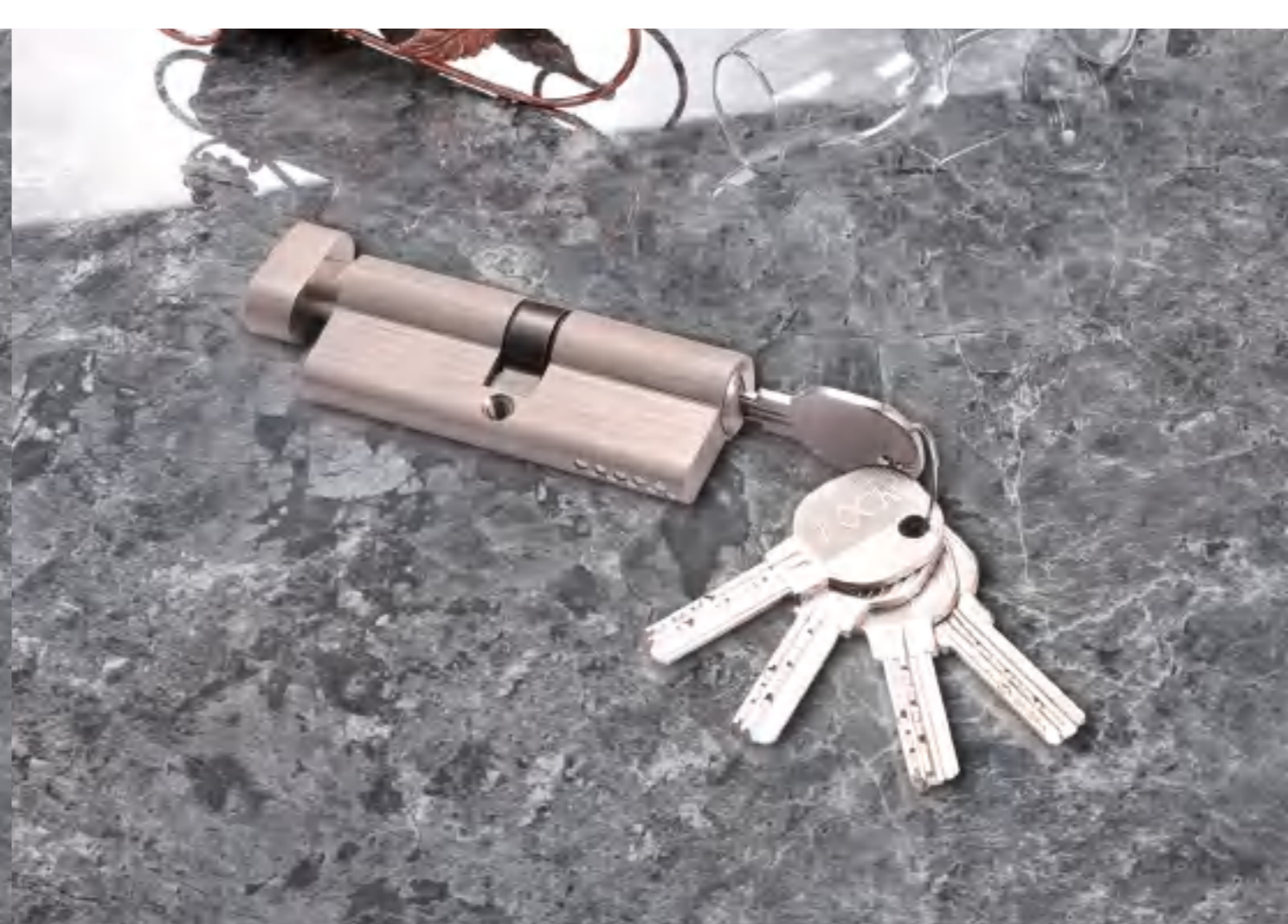
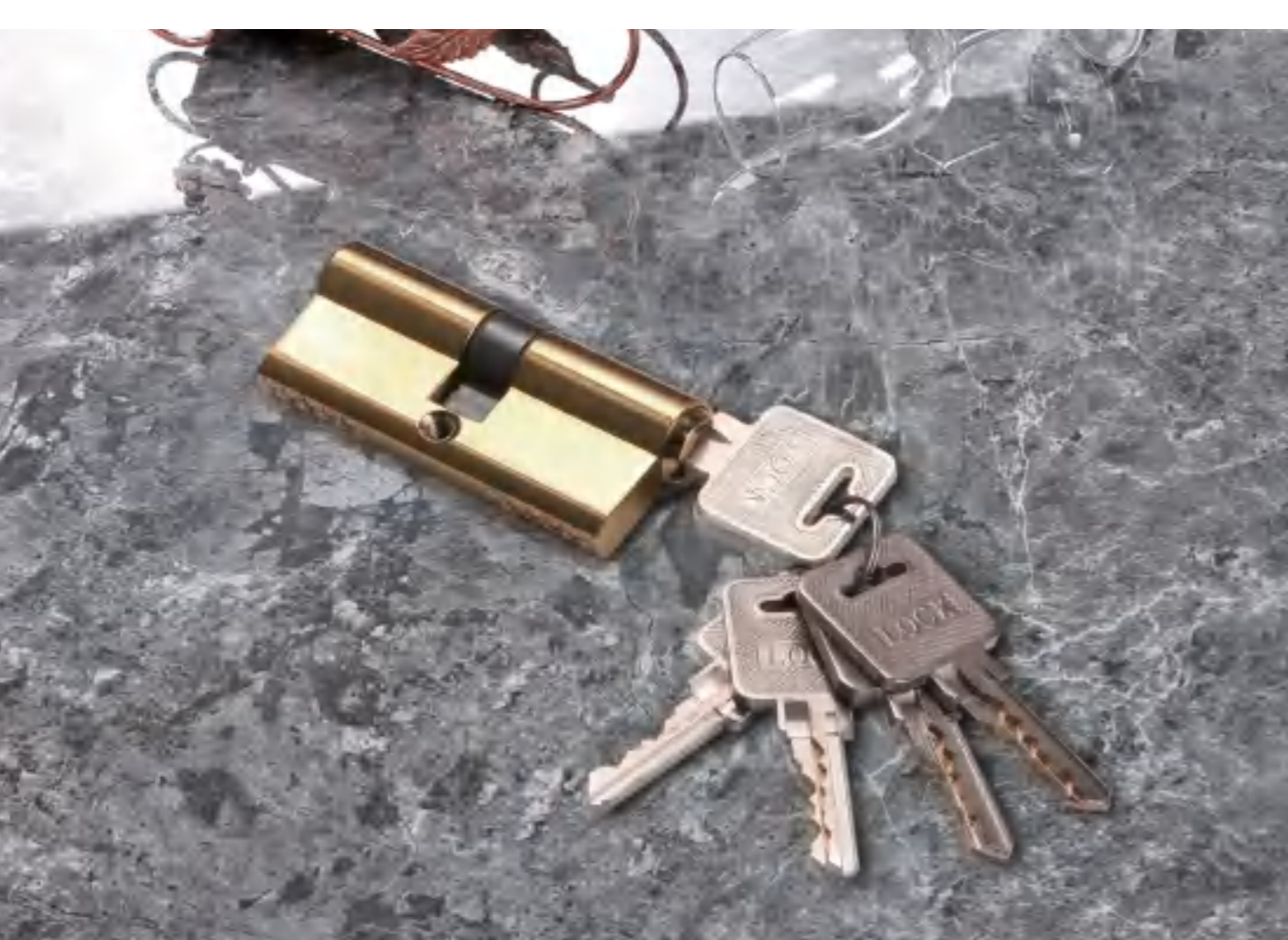
## Normal High-Low Double line Key-Key Cylinder Series

高低齿双排双开锁芯



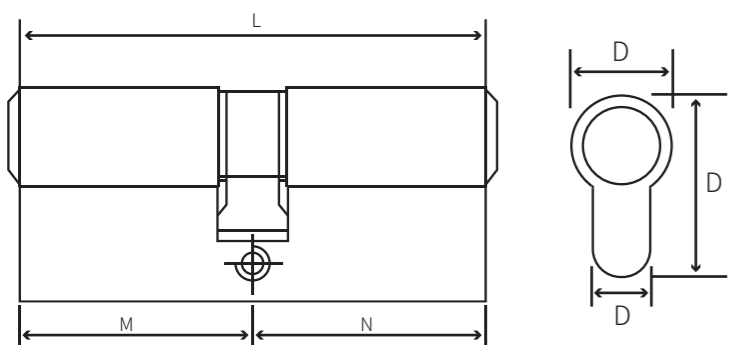
材质:铜	配置/Provided with:
Material:brass	螺丝
尺寸:70mm	screw
Size:70mm	钥匙
表面处理:铜拉丝	key
Surface:SB	

规格/Size			外径/Diameter
L	M	N	D
All size	All size	All size	All size



## Normal High-Low Double line Key-Key Cylinder Series

高低齿双排双开锁芯

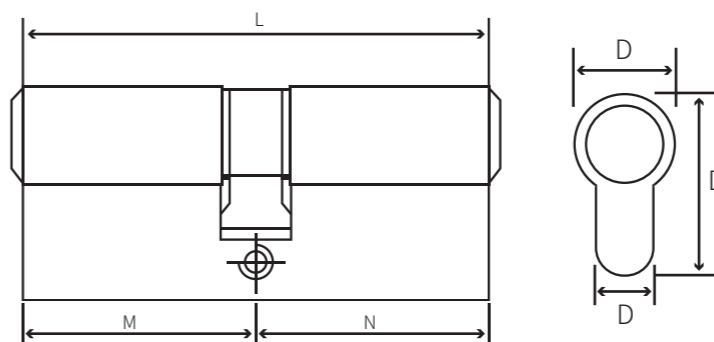


材质:铜 Material:brass	配置/Provided with:
尺寸:70mm Size:70mm	螺丝 screw
表面处理:PVD Surface:PVD	钥匙 key

规格/Size			外径/Diameter
L	M	N	D
All size	All size	All size	All size

## Computer Double line Key-Knob Cylinder Series

电脑双排单开锁芯



材质:铜 Material:brass	配置/Provided with:
尺寸:70mm Size:70mm	螺丝 screw
表面处理:粗镍拉丝 Surface:SN	钥匙 key

规格/Size			外径/Diameter
L	M	N	D
All size	All size	All size	All size



电脑双排双开锁芯系列

Computer Double line Key-Key Cylinder Series	
表面处理: 镍拉丝	Surface: SN
材质: 铜	Material: brass



电脑双排双开锁芯系列

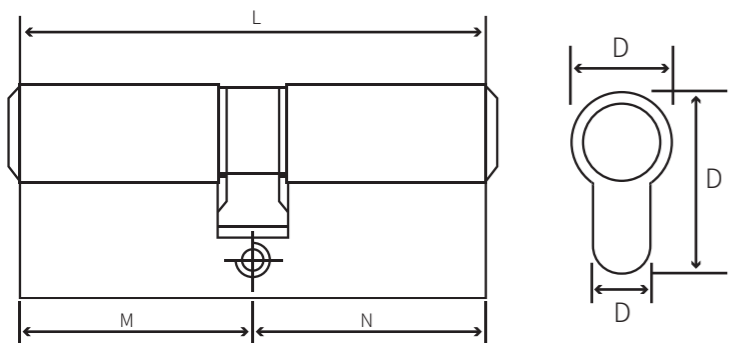
Computer Double line Key-Key Cylinder Series	
表面处理: 铜拉丝	Surface: SB
材质: 铜	Material: brass



电脑双排双开锁芯系列

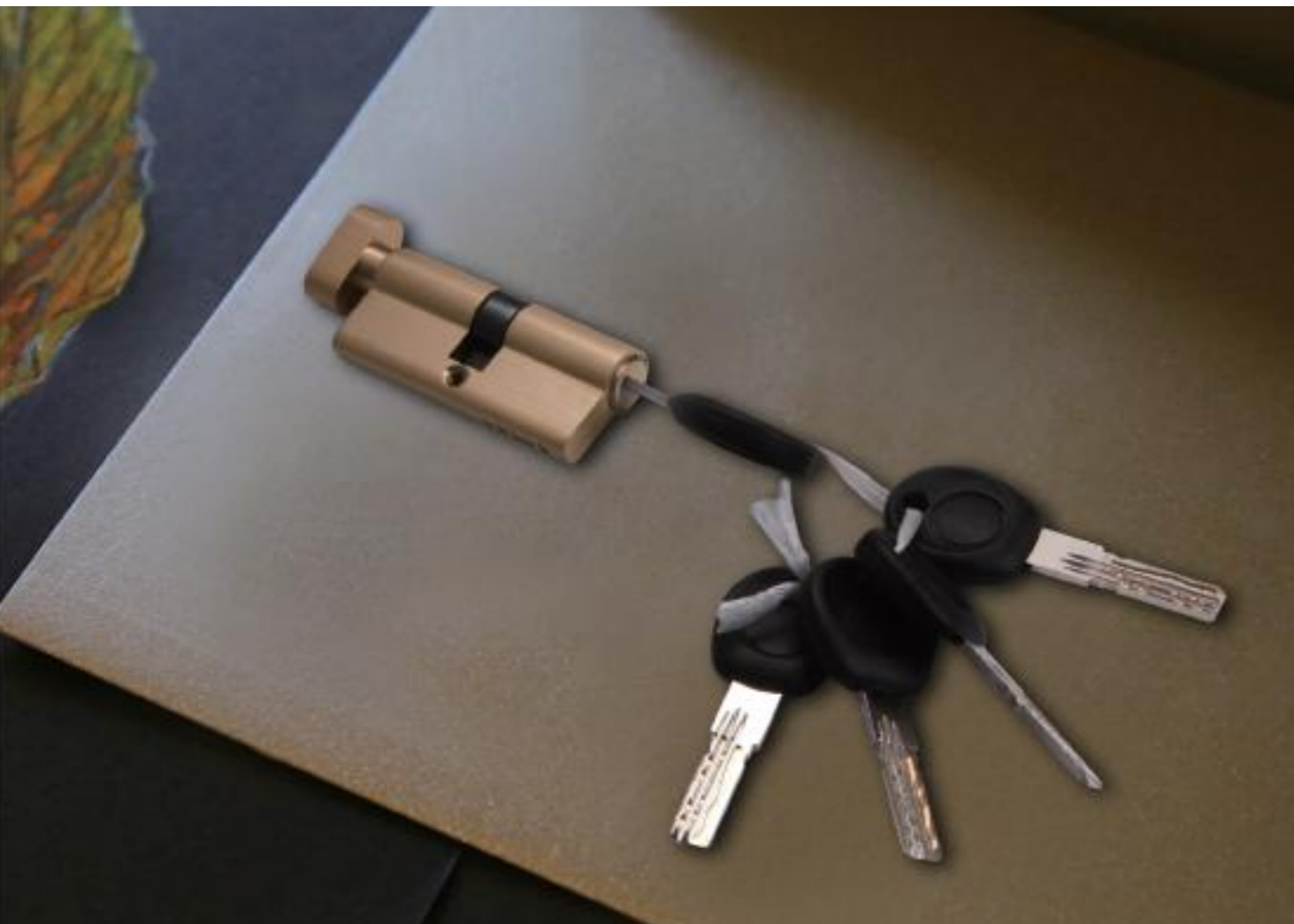
Computer Double line Key-Key Cylinder Series	
表面处理: 镍拉丝	Surface: SN
材质: 铜	Material: brass

Computer Double line Key-Key Cylinder Series 电脑双排双开锁芯



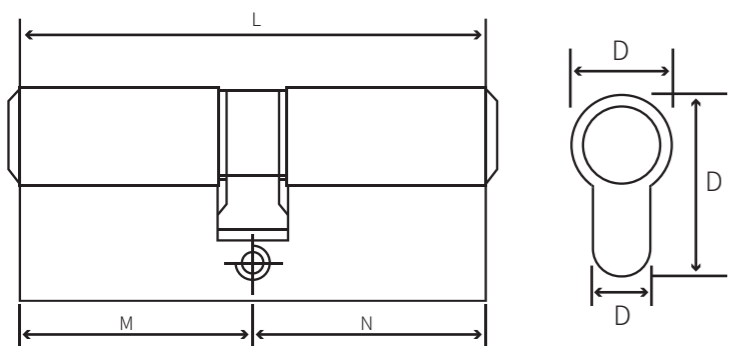
规格/Size			外径/Diameter
L	M	N	D
All size	All size	All size	All size

材质: 铜 Material: brass	配置/Provided with:
尺寸: 70mm Size: 70mm	螺丝 screw
表面处理: 哑光青古铜 Surface: MAB	钥匙 key



Computer Double line S-Shape Key-Knob Cylinder Series

电脑双排蛇形槽单开锁芯

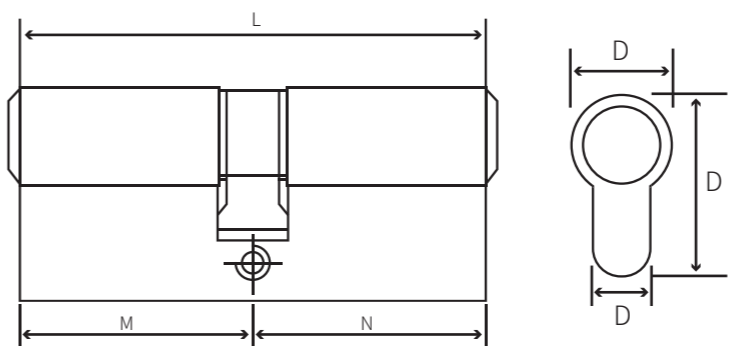


材质:铜 Material:brass	配置/Provided with:
尺寸:70mm Size:70mm	螺丝 screw
表面处理:铜拉丝 Surface:SB	钥匙 key

规格/Size			外径/Diameter
L	M	N	D
All size	All size	All size	All size

Computer Double line S-Shape Key-Knob Cylinder Series

电脑双排蛇形槽单开锁芯



材质:铜 Material:brass	配置/Provided with:
尺寸:70mm Size:70mm	螺丝 screw
表面处理:亮光红古铜 Surface:SAC	钥匙 key

规格/Size			外径/Diameter
L	M	N	D
All size	All size	All size	All size



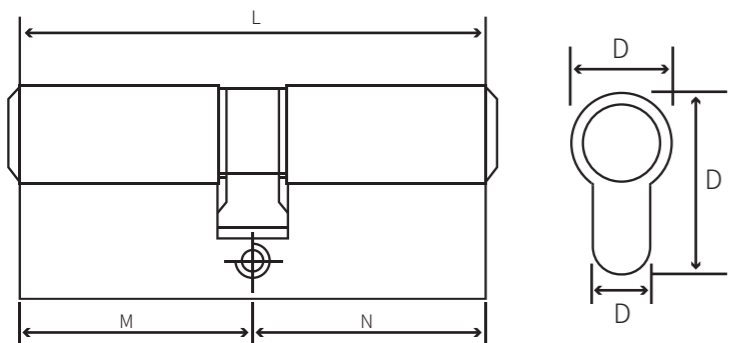
Computer Double line S-Shape Key-Key  
Cylinder Series

表面处理:铜拉丝  
Surface:SB

材质:铜  
Material:brass

## Computer Double line S-Shape Key-Key Cylinder Series

电脑双排蛇形槽双开锁芯



规格/Size			外径/Diameter
L	M	N	D
All size	All size	All size	All size

材质:铜  
Material:brass

配置/Provided with:

尺寸:70mm  
Size:70mm

螺丝  
screw

表面处理:镍拉丝  
Surface:SN

钥匙  
key



Computer Double line S-Shape Key-Key  
Cylinder Series

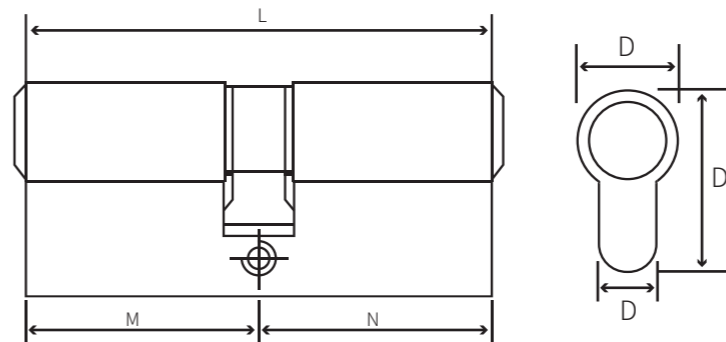
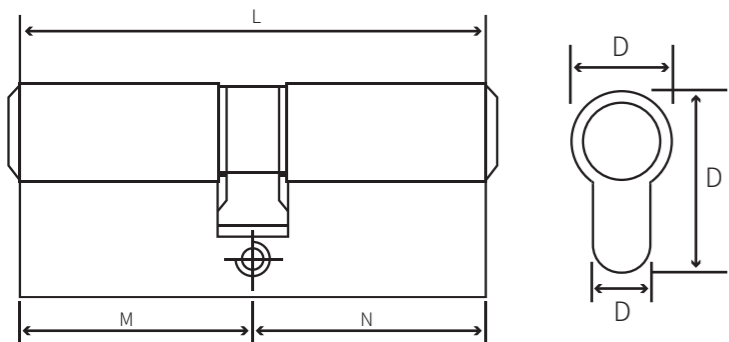
表面处理:哑光青古铜  
Surface:MAB

材质:铜  
Material:brass



Stainless-Steel Bar Computer Cylinder Series 不锈钢片电脑锁芯

Stainless-Steel Bar Computer Cylinder Series 不锈钢片电脑锁芯



材质:铜 Material:brass	配置/Provided with:
尺寸:70mm Size:70mm	螺丝 screw
表面处理:铜拉丝 Surface:SB	钥匙 key

材质:铜 Material:brass	配置/Provided with:
尺寸:70mm Size:70mm	螺丝 screw
表面处理:镍拉丝 Surface:SN	钥匙 key

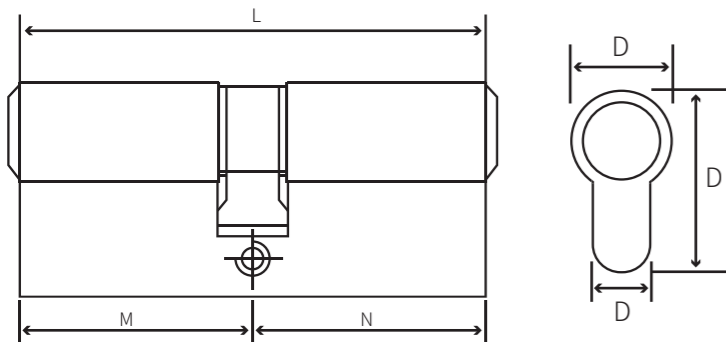
规格/Size			外径/Diameter
L	M	N	D
All size	All size	All size	All size

规格/Size			外径/Diameter
L	M	N	D
All size	All size	All size	All size



### Steel Beam Computer Cylinder Series

### 防撬钢梁电脑锁芯



材质:铜  
Material:brass

配置/Provided with:  
螺丝  
screw

尺寸:70mm  
Size:70mm

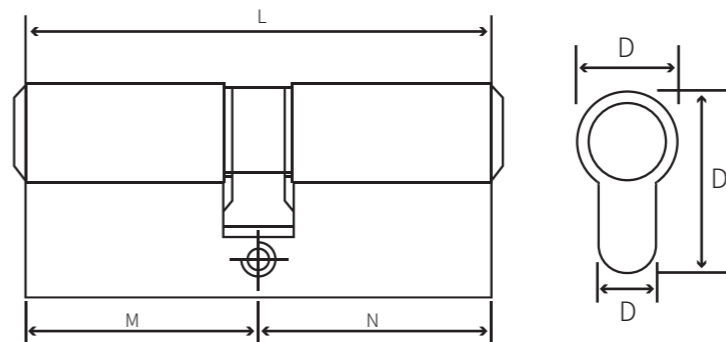
表面处理:铜罩光  
Surface:BP

钥匙  
key

规格/Size			外径/Diameter
L	M	N	D
All size	All size	All size	All size

### Quadruple Line Key-Knob Cylinder Series

### 四排单开锁芯



材质:铜  
Material:brass

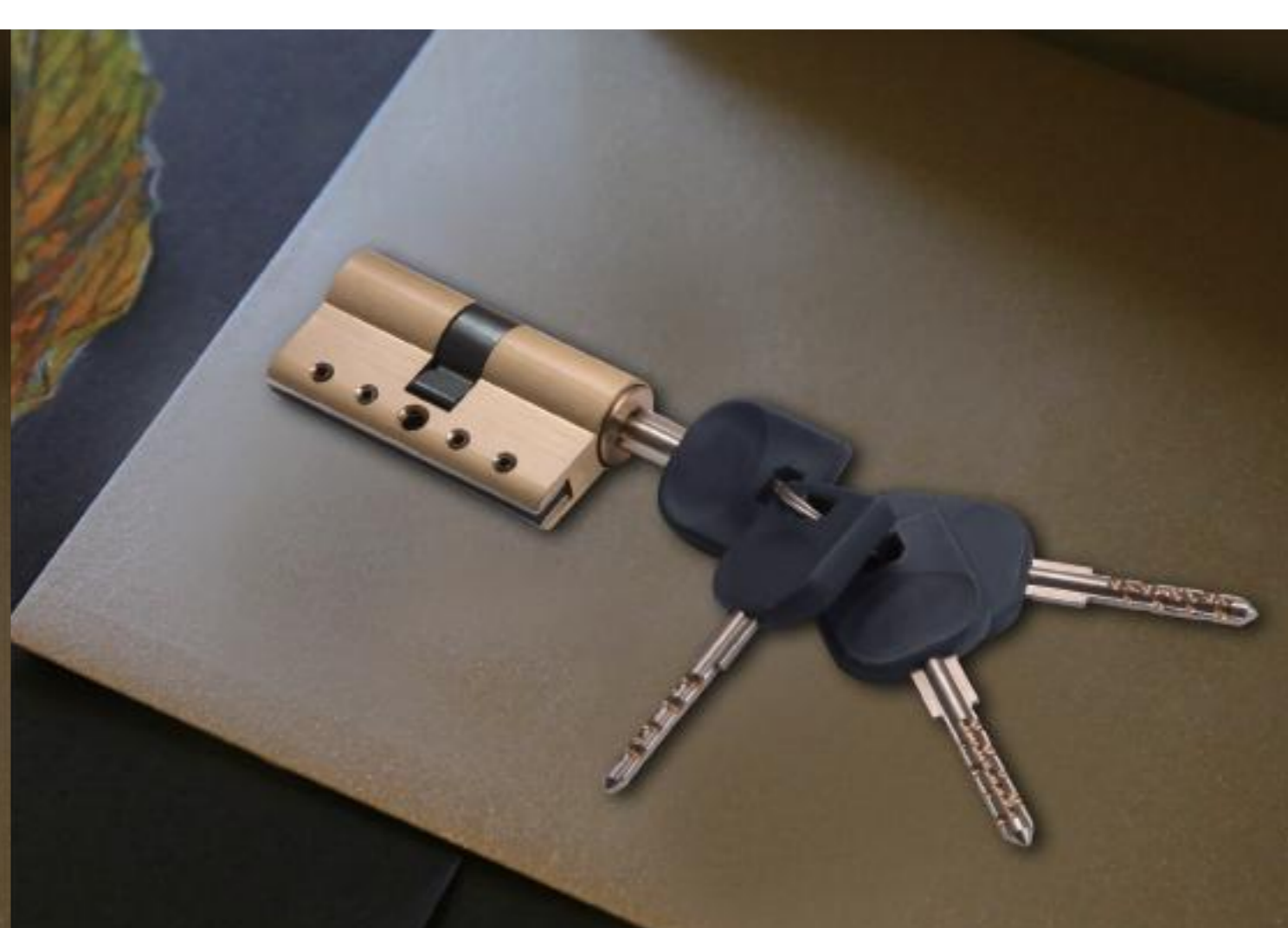
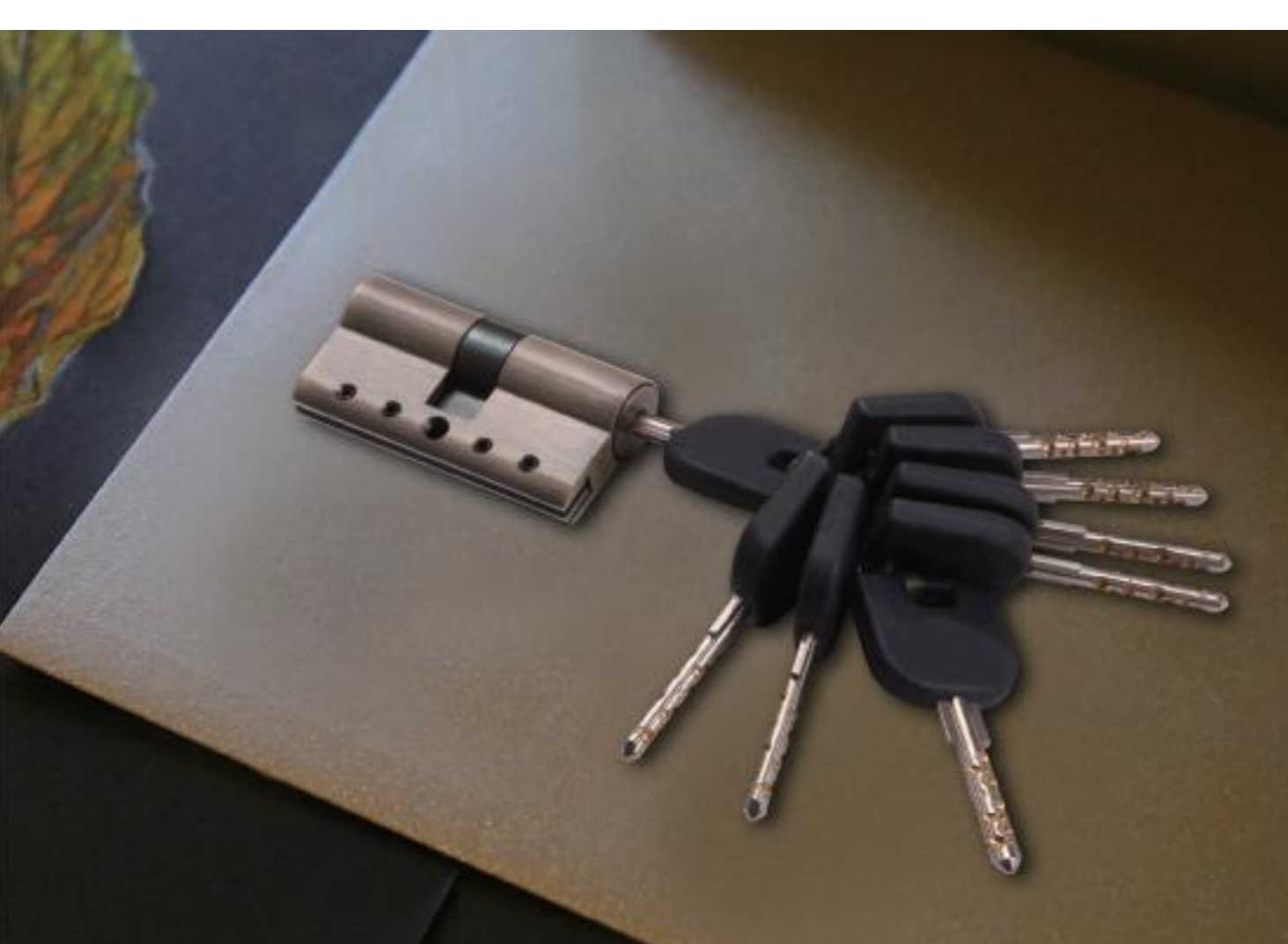
配置/Provided with:  
螺丝  
screw

尺寸:70mm  
Size:70mm

表面处理:铜拉丝  
Surface:SB

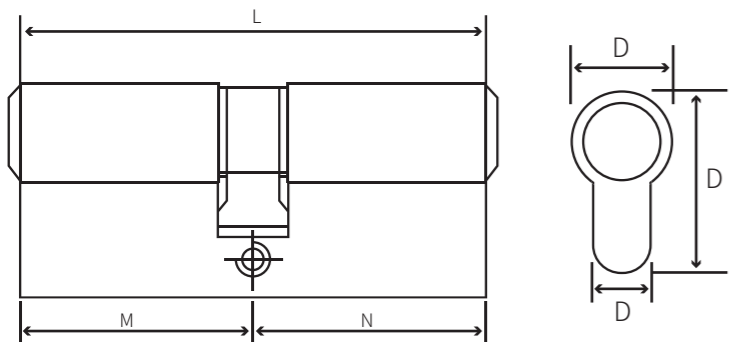
钥匙  
key

规格/Size			外径/Diameter
L	M	N	D
All size	All size	All size	All size



## Quadruple Line Key-Key Cylinder Series

四排双开锁芯



材质:铜  
Material:brass

配置/Provided with:

尺寸:70mm  
Size:70mm

螺丝  
screw

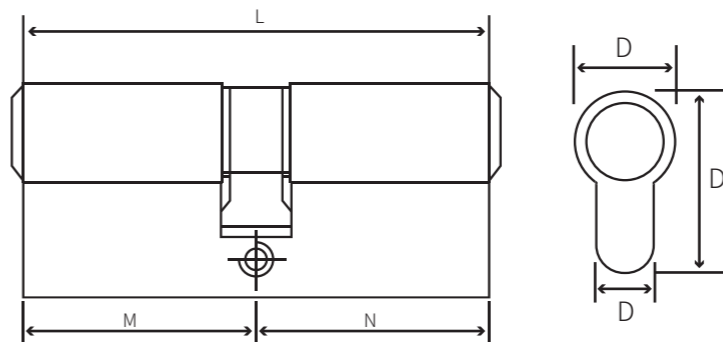
表面处理:亮光红古铜  
Surface:SAC

钥匙  
key

规格/Size			外径/Diameter
L	M	N	D
All size	All size	All size	All size

## Quadruple Line Key-Key Cylinder Series

四排双开锁芯



材质:铜  
Material:brass

配置/Provided with:

尺寸:70mm  
Size:70mm

螺丝  
screw

表面处理:铜拉丝  
Surface:SB

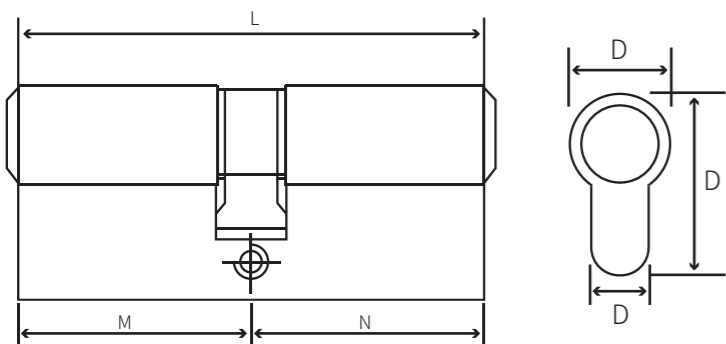
钥匙  
key

规格/Size			外径/Diameter
L	M	N	D
All size	All size	All size	All size





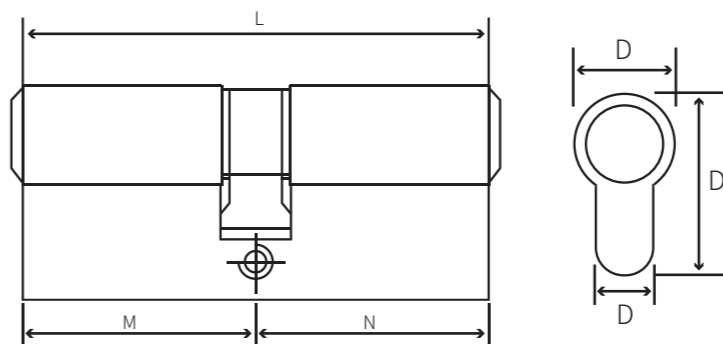
Blade Key-Knob Cylinder Series 叶片单开锁芯



材质:铜 Material:brass	配置/Provided with:
尺寸:70mm Size:70mm	螺丝 screw
表面处理:镍拉丝 Surface:SN	钥匙 key

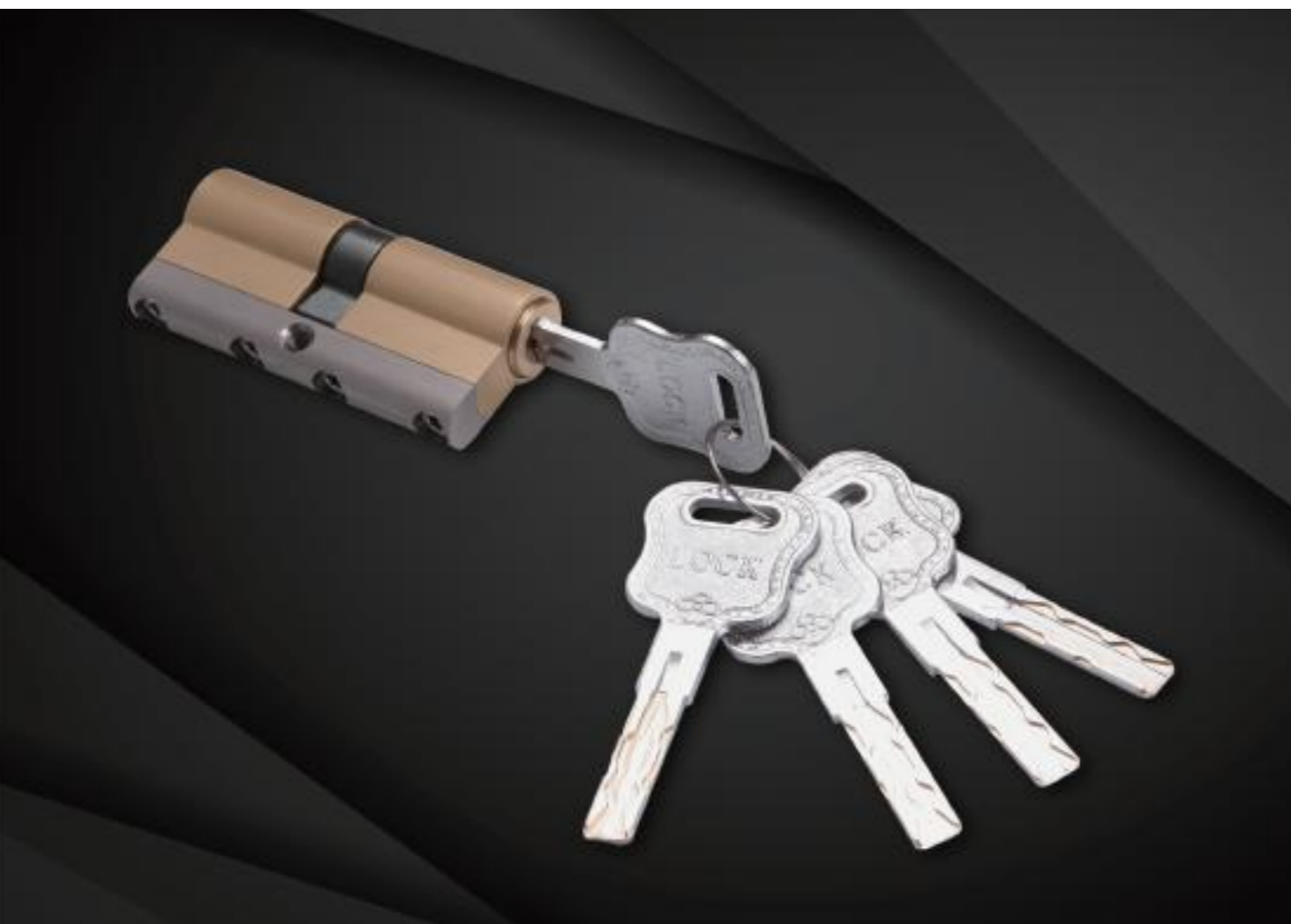
规格/Size			外径/Diameter
L	M	N	D
All size	All size	All size	All size

Blade Key-Key Cylinder Series 叶片双开锁芯

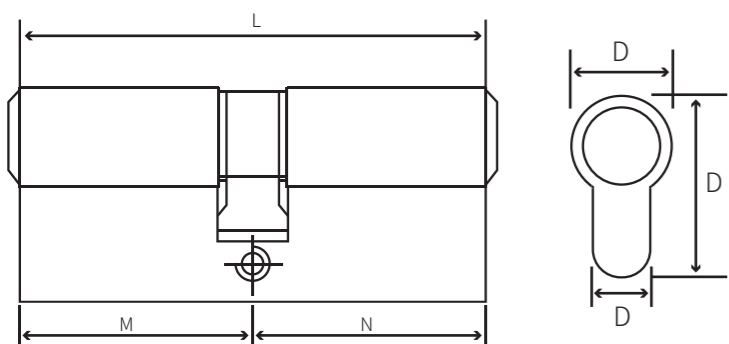


材质:铜 Material:brass	配置/Provided with:
尺寸:70mm Size:70mm	螺丝 screw
表面处理:铜拉丝 Surface:SB	钥匙 key

规格/Size			外径/Diameter
L	M	N	D
All size	All size	All size	All size



Blade Key-Key Cylinder Series 叶片双开锁芯



材质:铜  
Material:brass

配置/Provided with:  
螺丝  
screw

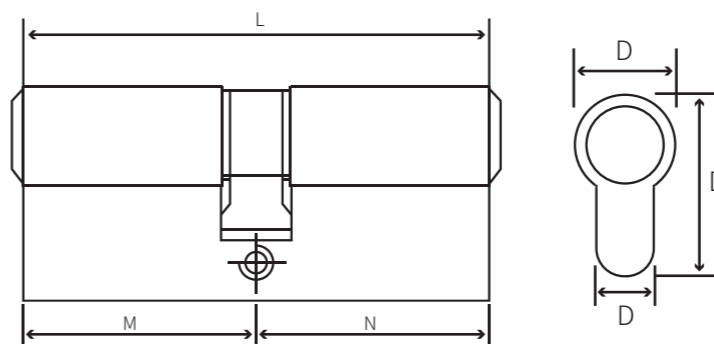
尺寸:70mm  
Size:70mm

表面处理:铜拉丝  
Surface:SB

钥匙  
key

规格/Size			外径/Diameter
L	M	N	D
All size	All size	All size	All size

Column Cylinder Series 圆柱锁芯



材质:铜  
Material:brass

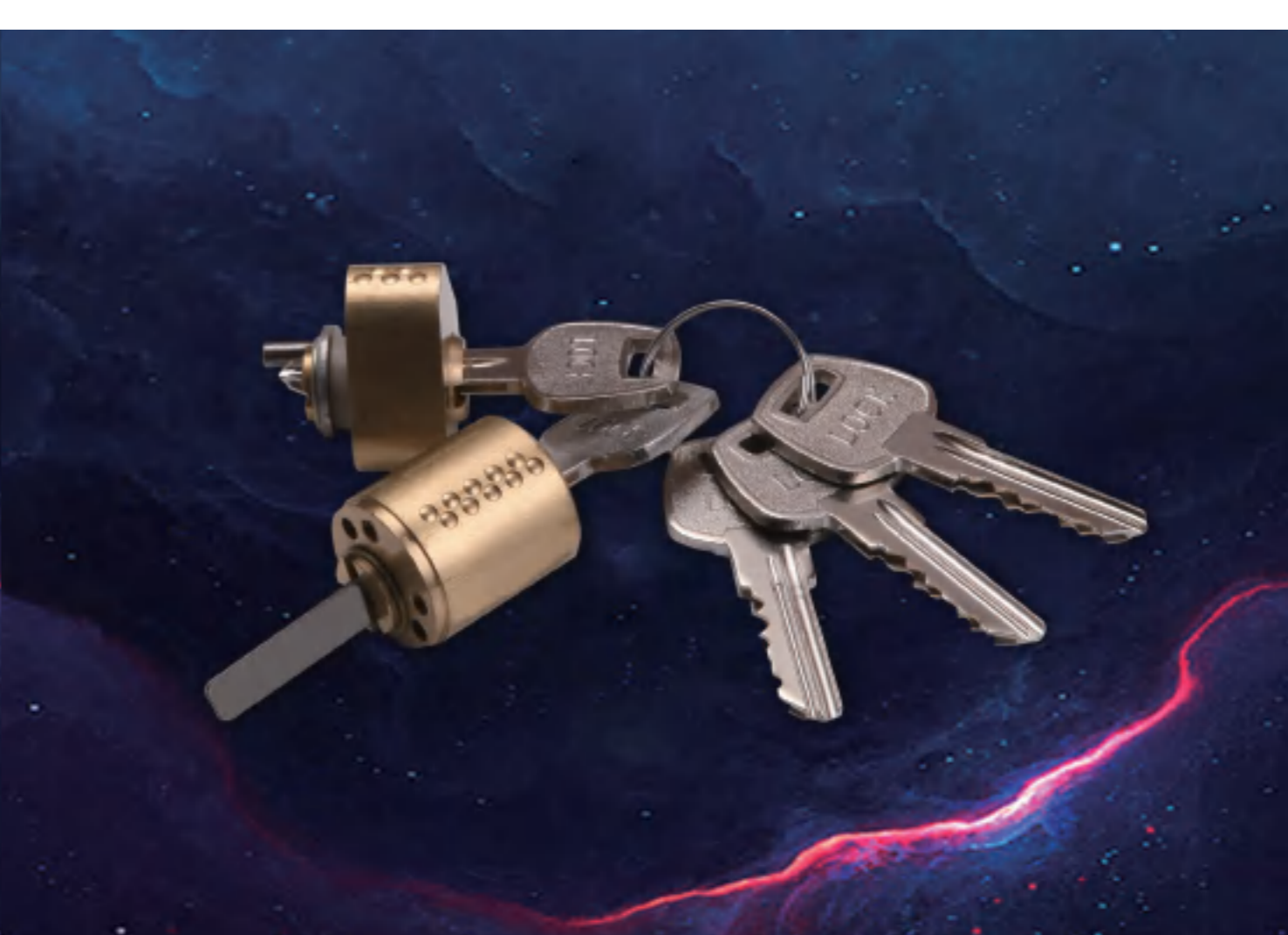
配置/Provided with:  
螺丝  
screw

尺寸:70mm  
Size:70mm

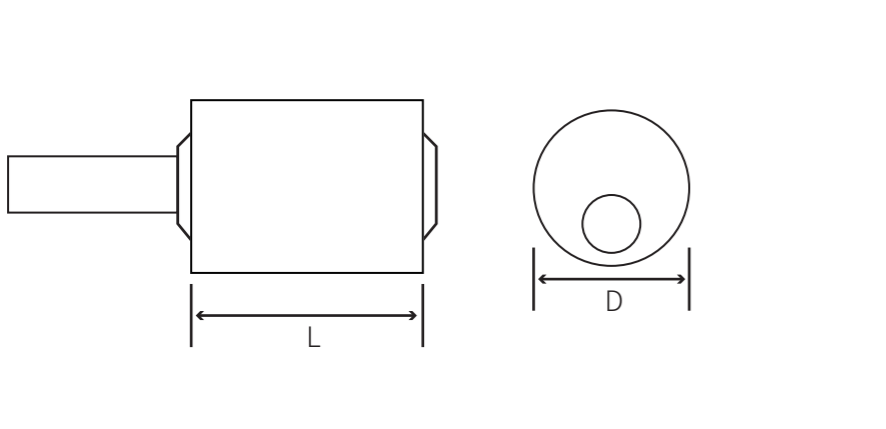
表面处理:镍拉丝  
Surface:SN

钥匙  
key

规格/Size			外径/Diameter
L	M	N	D
All size	All size	All size	All size



Combo Round Cylinder Series 复式圆头锁芯



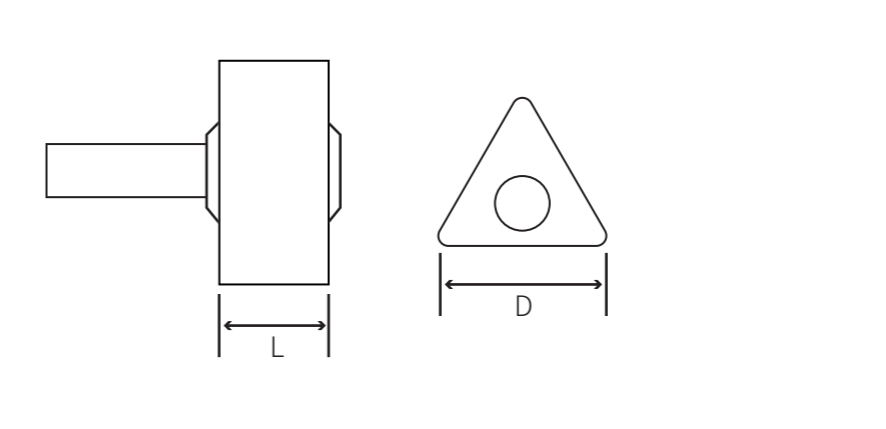
材质:铜  
Material:brass

配置/Provided with:  
螺丝/screw  
钥匙/key

表面处理:铜粘膜  
Surface:BC

规格/Size	外径/Diameter
L	D
All size	All size

Combo Round-Triangle Cylinder Series 复式三角形锁芯



材质:铜  
Material:brass

配置/Provided with:  
螺丝/screw  
钥匙/key

表面处理:铜粘膜  
Surface:BC

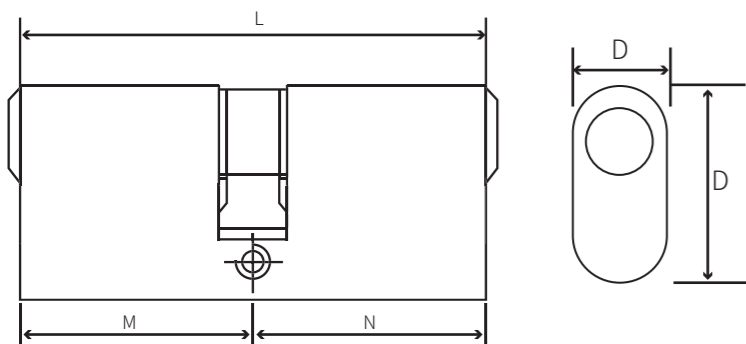
规格/Size	外径/Diameter
L	D
All size	All size



Ellipse Cylinder Series

表面处理: 镍拉丝	材质: 铜
Surface: SN	Material: brass

Ellipse Cylinder Series 椭圆锁芯



规格/Size			外径/Diameter
L	M	N	D
All size	All size	All size	All size

材质: 铜 Material: brass	配置/Provided with:
尺寸: 54mm Size: 54mm	螺丝 screw
表面处理: 铜拉丝 Surface: SB	钥匙 key

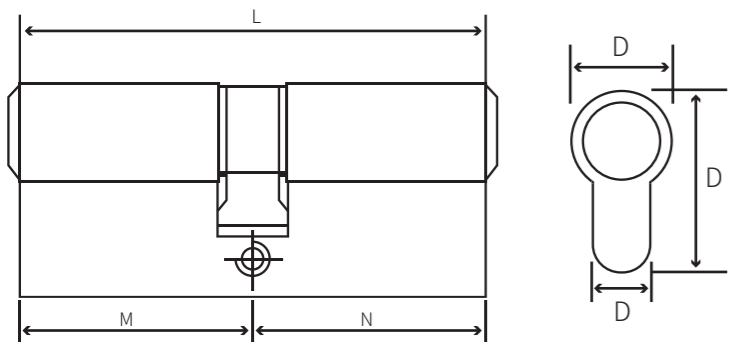


Ellipse Cylinder Series

表面处理: 亮铬	材质: 铜
Surface: CP	Material: brass



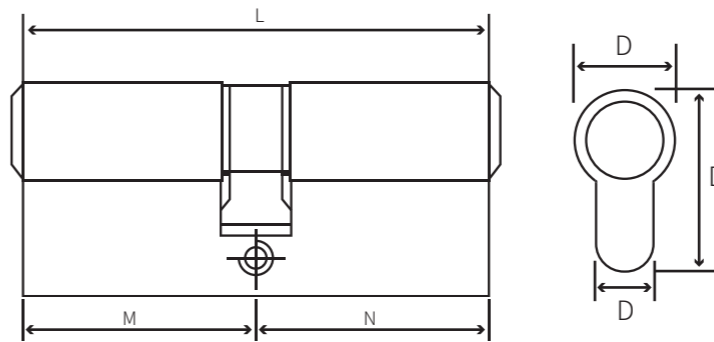
Management Cylinder Series 管理锁芯



材质:铜 Material:brass	配置/Provided with:
尺寸:70mm Size:70mm	螺丝 screw
表面处理:镍拉丝 Surface:SN	钥匙 key

规格/Size			外径/Diameter
L	M	N	D
All size	All size	All size	All size

BK Series BK锁芯



材质:铜 Material:brass	配置/Provided with:
尺寸:70mm Size:70mm	螺丝 screw
表面处理:哑光咖啡 Surface:MCF	钥匙 key

规格/Size			外径/Diameter
L	M	N	D
All size	All size	All size	All size



表面处理: 镍拉丝

材质: 铜

Surface: SN

Material: brass



表面处理: 亮光红古铜

材质: 铜

Surface: SAC

Material: brass



表面处理: 镍拉丝

材质: 铜

Surface: SN

Material: brass



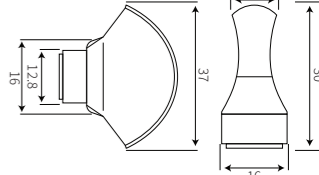
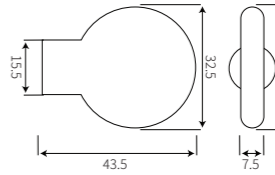
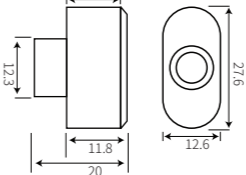
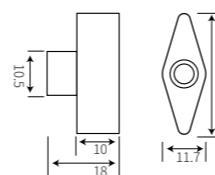
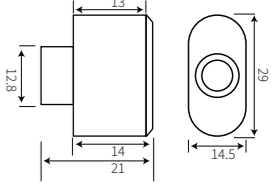
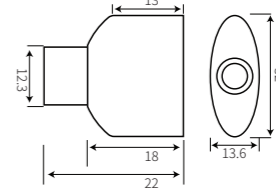
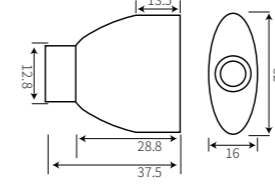
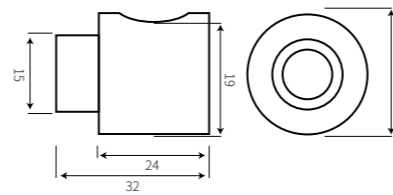
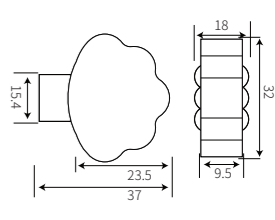
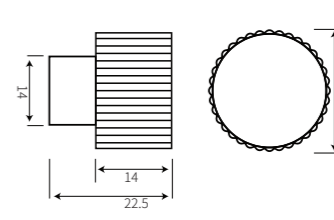
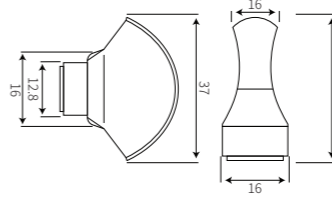
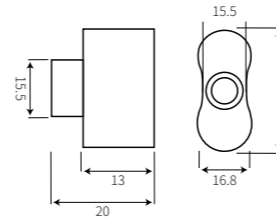
表面处理: 哑光青古铜

材质: 铜

Surface: MAB

Material: brass

## 铜柄 Brass Knob



### BK Series

表面处理: 哑光青古铜

Surface: MAB

材质: 铜

Material: brass



BK锁芯

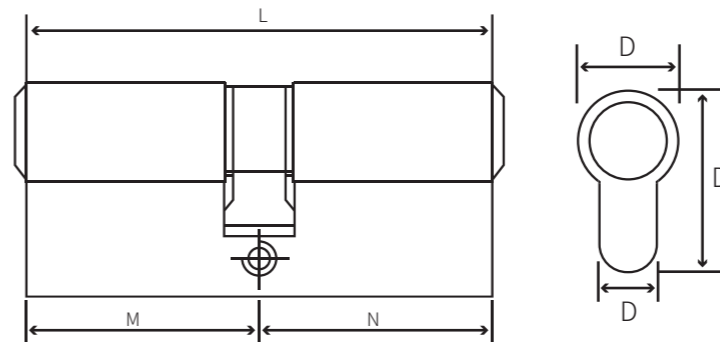
# ZINC SERIES

## 锌合金系列



### Small Diameter Normal Key-Knob Cylinder Series

#### 小S槽单开锁芯



材质: 锌合金  
Material: Zinc

尺寸: 70mm  
Size: 70mm

表面处理: 亮铬  
Surface: CP

配置/Provided with:

螺丝  
screw

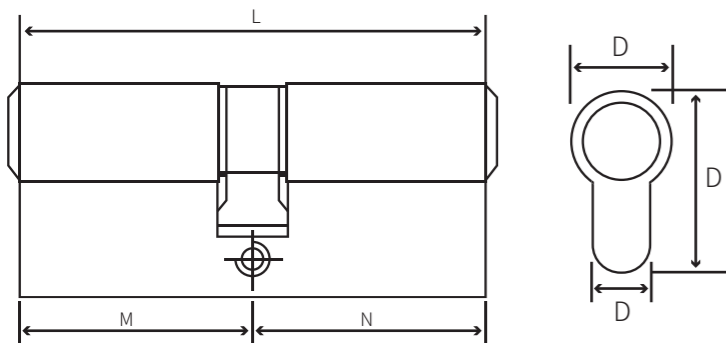
钥匙  
keys

规格/Size			外径/Diameter
L	M	N	D
60	30	30	9*15*29
68	34	34	9.2*15.2*29.2
70	35	35	



## Small Diameter Normal Key-Knob Cylinder Series

### 小S槽单开锁芯



材质: 锌合金  
Material: Zinc

配置/Provided with:

尺寸: 70mm  
Size: 70mm

螺丝  
screw

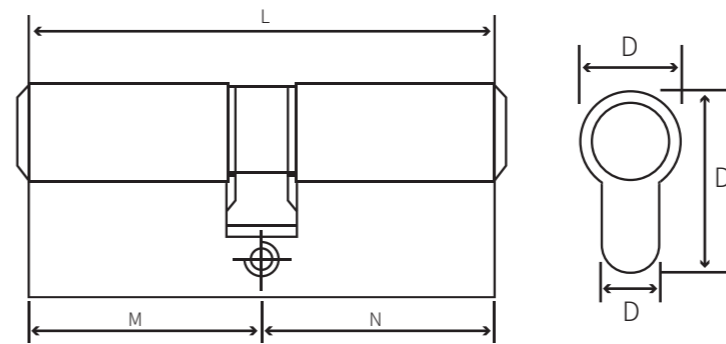
表面处理: 哑光咖啡  
Surface: MCF

钥匙  
keys

规格/Size			外径/Diameter
L	M	N	D
60	30	30	9*15*29
68	34	34	9.2*15.2*29.2
70	35	35	

## Small Diameter Normal Key-Key Cylinder Series

### 小S槽双开锁芯



材质: 锌合金  
Material: Zinc

配置/Provided with:

尺寸: 70mm  
Size: 70mm

螺丝  
screw

表面处理: 亮铬  
Surface: CP

钥匙  
keys

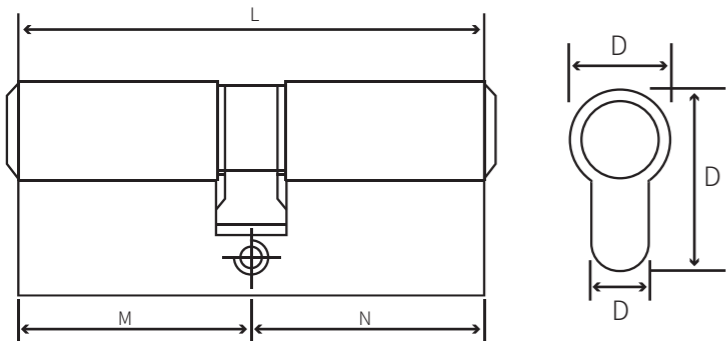
规格/Size			外径/Diameter
L	M	N	D
60	30	30	9*15*29
68	34	34	9.2*15.2*29.2
70	35	35	





## Normal Key-Knob Cylinder Series

### 大S槽单开锁芯



材质: 锌合金  
Material: Zinc

配置/Provided with:

尺寸: 70mm  
Size: 70mm

螺丝  
screw

表面处理: K金  
Surface: KGP

钥匙  
keys

规格/Size			外径/Diameter
L	M	N	D
54	27	27	9.5*16.5*32.5
60	30	30	9.8*16.8*32.8
70	35	35	10*17*33
70	30	40	Other size can be customized
80	40	40	
80	35	45	
90	45	45	
90	40	50	
90	30	60	
100	50	50	
110	50	60	



大S槽单开锁芯

## Normal Key-Knob Cylinder Series

表面处理: 亮铬

Surface: CP

材质: 锌合金

Material: zinc



大S槽单开锁芯

## Normal Key-Knob Cylinder Series

表面处理: 镍拉丝

Surface: SN

材质: 锌合金

Material: zinc



大S槽单开锁芯

## Normal Key-Knob Cylinder Series

表面处理: 亮光青古铜

Surface: SAB

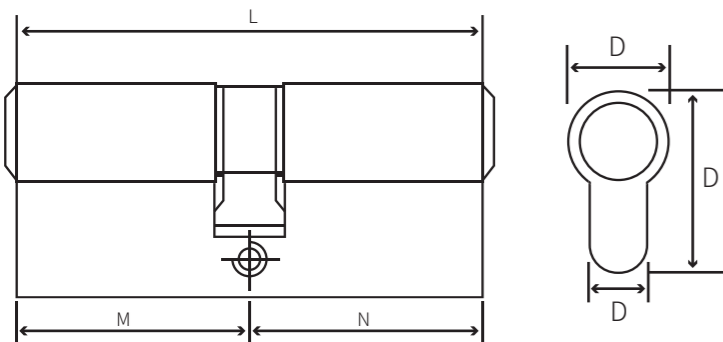
材质: 锌合金

Material: zinc



## Normal Key-Key Cylinder Series

### 大S槽双开锁芯



材质: 锌合金  
Material: Zinc

配置/Provided with:

尺寸: 70mm  
Size: 70mm

螺丝  
screw

表面处理: K金  
Surface: KGP

钥匙  
keys

规格/Size			外径/Diameter
L	M	N	D
54	27	27	9.5*16.5*32.5
60	30	30	9.8*16.8*32.8
70	35	35	10*17*33
70	30	40	Other size can be customized
80	40	40	
80	35	45	
90	45	45	
90	40	50	
90	30	60	
100	50	50	
110	50	60	



表面处理: 仿金

材质: 锌合金

Surface: GP

Material: zinc

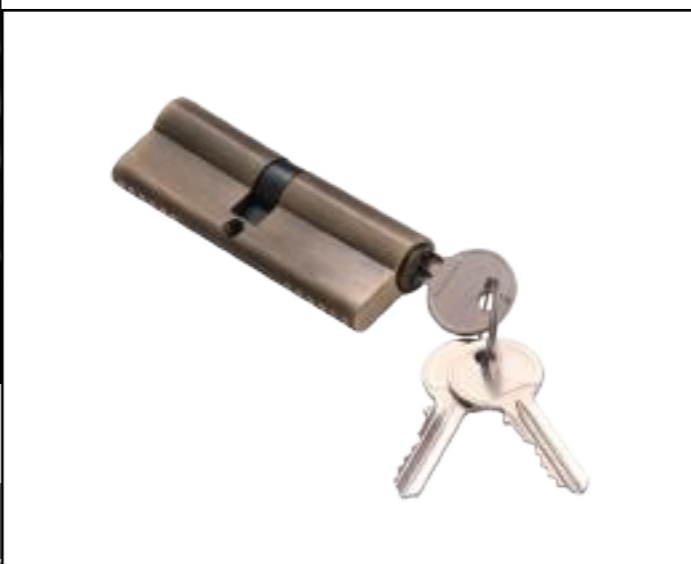


表面处理: 镍拉丝

材质: 锌合金

Surface: SN

Material: zinc

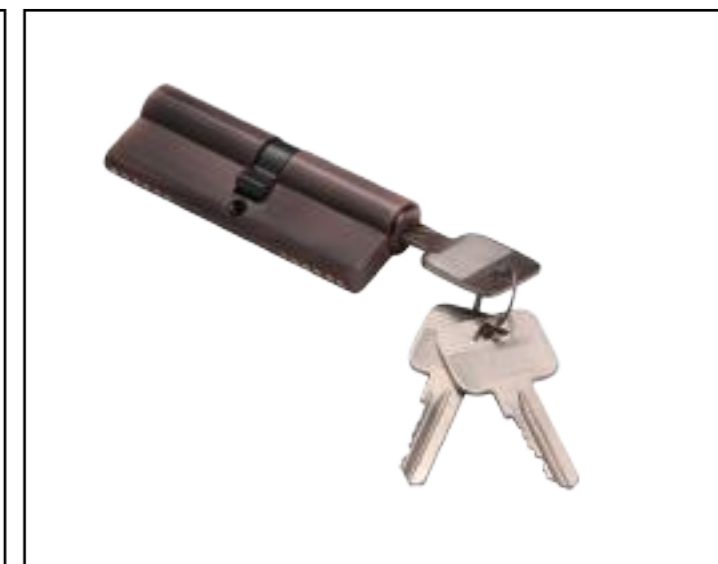


表面处理: 亮光青古铜

材质: 锌合金

Surface: SAB

Material: zinc

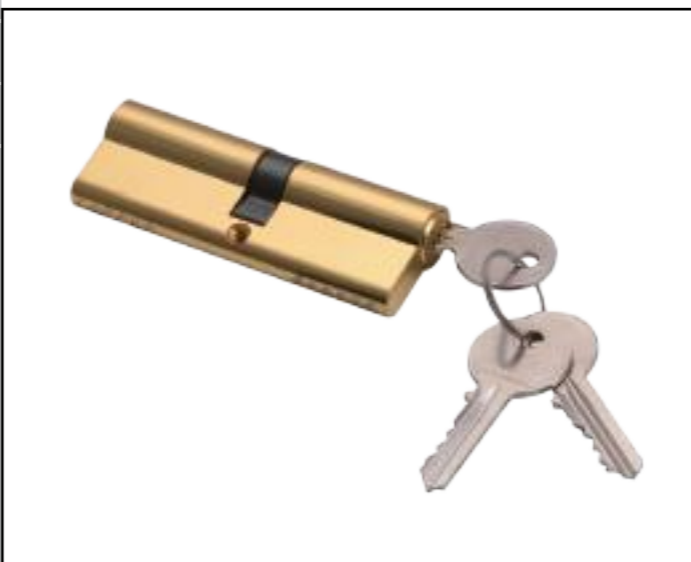


表面处理: 亮光红古铜

材质: 锌合金

Surface: SAC

Material: zinc



表面处理: 仿金

材质: 锌合金

Surface: GP

Material: zinc

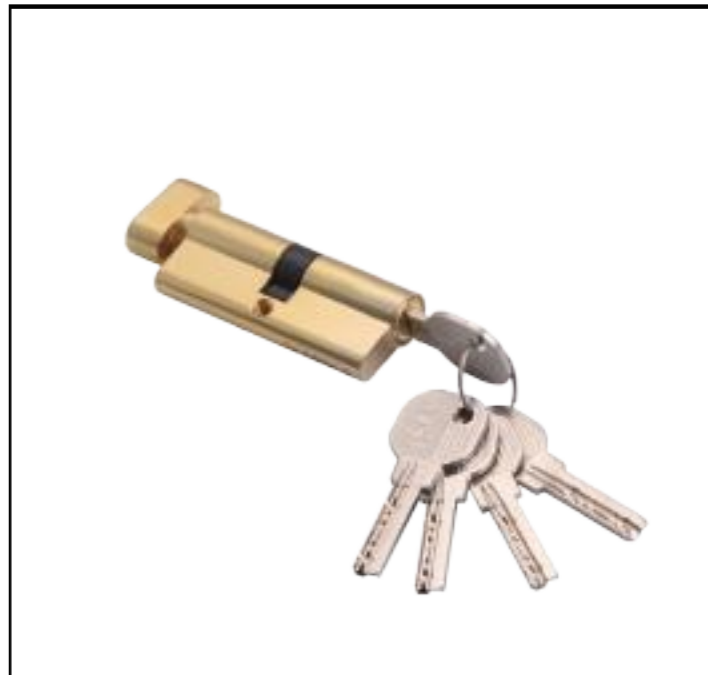
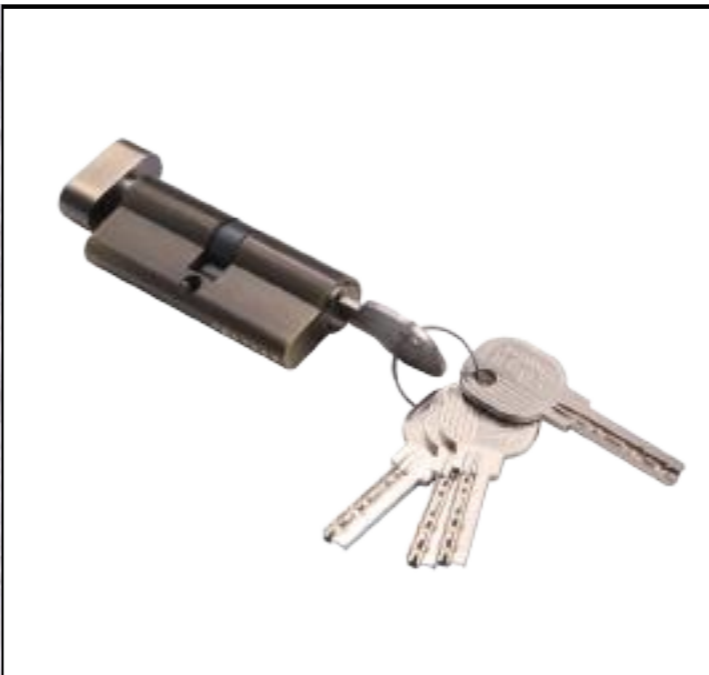
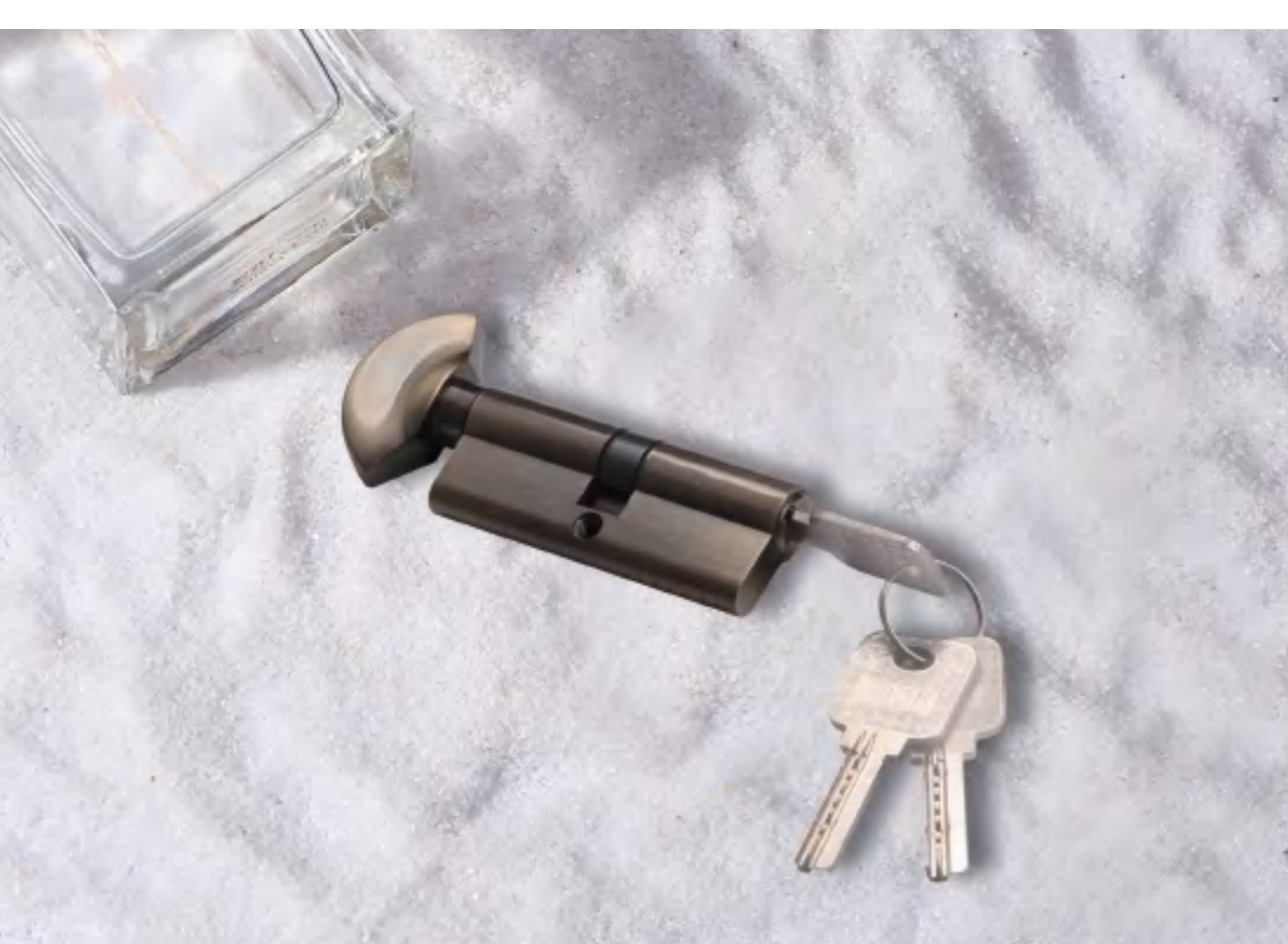


表面处理: 电泳青古铜

材质: 锌合金

Surface: Electrophoresis AB

Material: zinc



Small Diameter Computer Key-Knob Cylinder Series

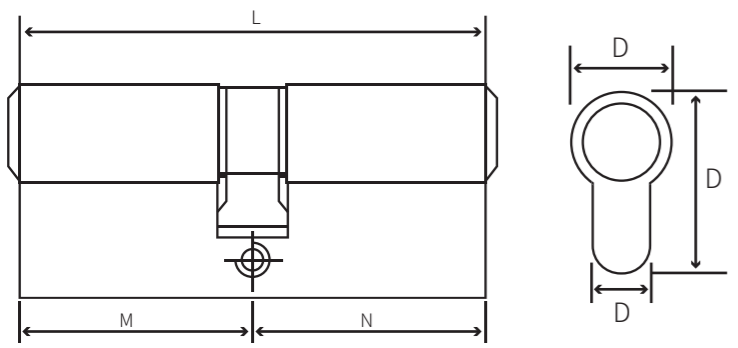
表面处理: 亮光青古铜
Surface: SAB
材质: 锌合金
Material: zinc

Small Diameter Computer Key-Knob Cylinder Series

表面处理: 仿金
Surface: GP
材质: 锌合金
Material: zinc

## Small Diameter Computer Key-Knob Cylinder Series

小电脑单开锁芯



规格/Size			外径/Diameter
L	M	N	D
60	30	30	9*15*29
68	34	34	9.2*15.2*29.2
70	35	35	

材质: 锌合金 Material: Zinc	配置/Provided with:
尺寸: 70mm Size: 70mm	螺丝 screw
表面处理: 亮光青古铜 Surface: SAB	钥匙 keys

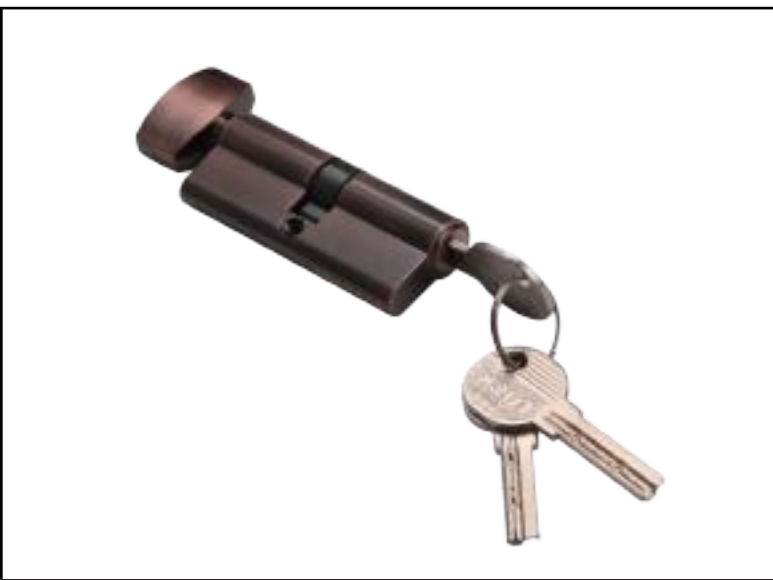


Small Diameter Computer Key-Knob Cylinder Series

表面处理: 镍拉丝
Surface: SN
材质: 锌合金
Material: zinc

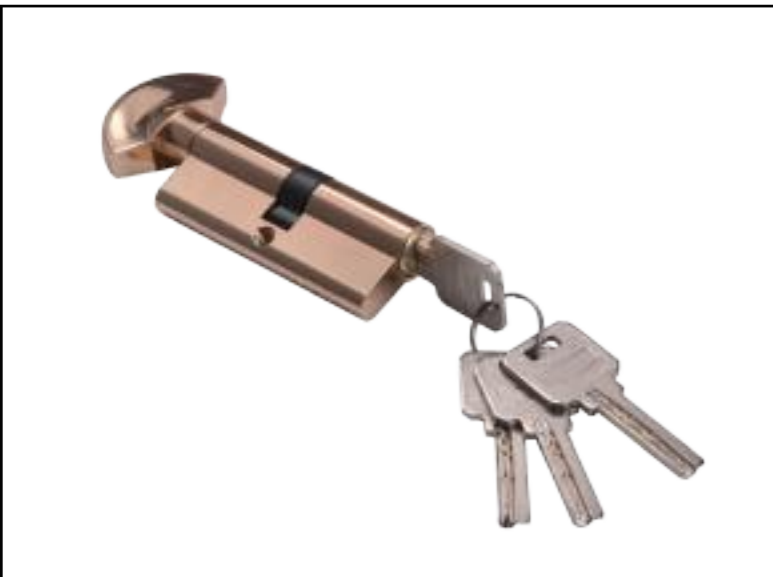
Small Diameter Computer Key-Knob Cylinder Series

表面处理: 亮铬
Surface: CP
材质: 锌合金
Material: zinc



小电脑单开锁芯系列

Small Diameter Computer Key-Knob Cylinder Series	
表面处理:	亮光红古铜
Surface:	SAC
材质:	锌合金
Material:	zinc



小电脑单开锁芯系列

Small Diameter Computer Key-Knob Cylinder Series	
表面处理:	K金
Surface:	KGP
材质:	锌合金
Material:	zinc



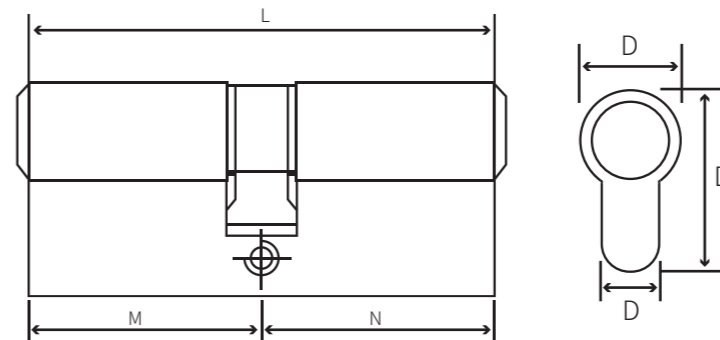
小电脑单开锁芯系列

Small Diameter Computer Key-Knob Cylinder Series	
表面处理:	仿金
Surface:	GP
材质:	锌合金
Material:	zinc



### Small Diameter Computer Key-Key Cylinder Series

小电脑双开锁芯



材质: 锌合金  
Material: Zinc

尺寸: 70mm  
Size: 70mm

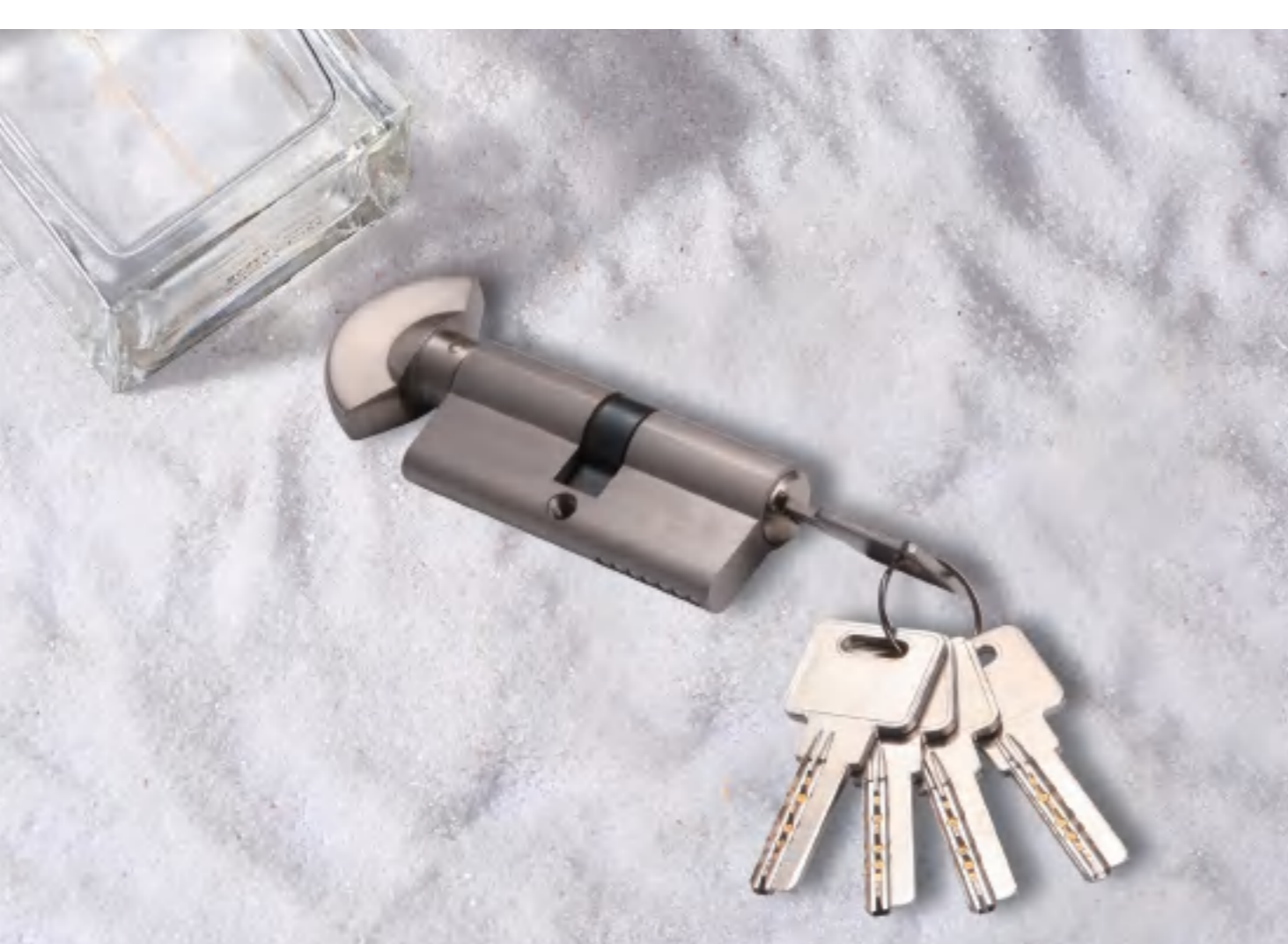
表面处理: 镍拉丝  
Surface: SN

配置/Provided with:

螺丝  
screw

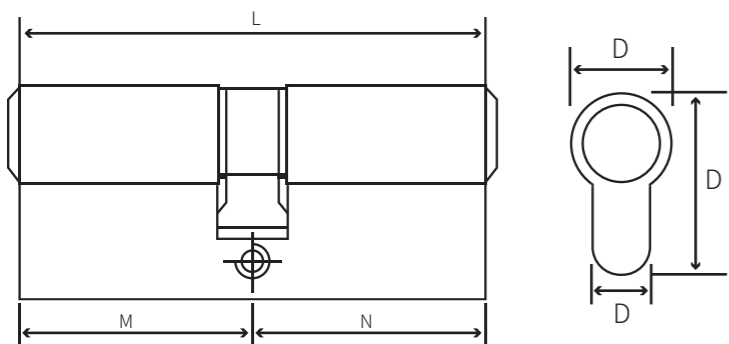
钥匙  
keys

规格/Size			外径/Diameter
L	M	N	D
60	30	30	9*15*29
68	34	34	9.2*15.2*29.2
70	35	35	



## Computer Key-Knob Cylinder Series

### 大电脑单开锁芯



材质: 锌合金  
Material: Zinc

配置/Provided with:

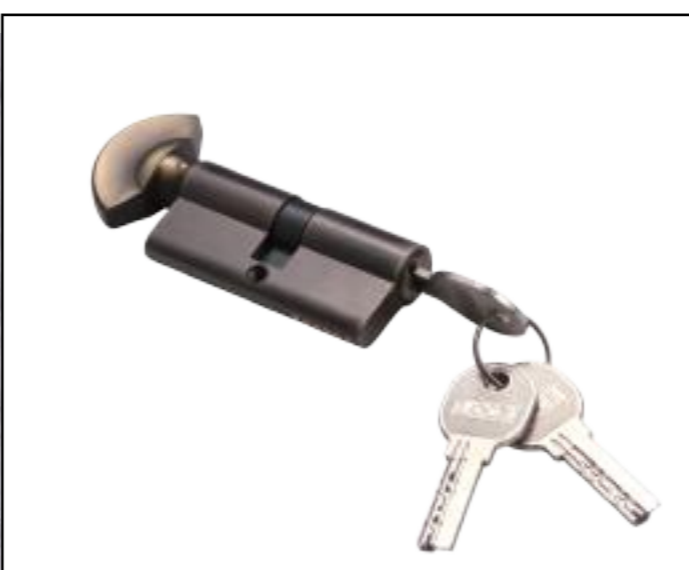
尺寸: 70mm  
Size: 70mm

螺丝  
screw

表面处理: 镍拉丝  
Surface: SN

钥匙  
keys

规格/Size			外径/Diameter
L	M	N	D
54	27	27	9.5*16.5*32.5
60	30	30	9.8*16.8*32.8
70	35	35	10*17*33
70	30	40	Other size can be customized
80	40	40	
80	35	45	
90	45	45	
90	40	50	
90	30	60	
100	50	50	
110	50	60	



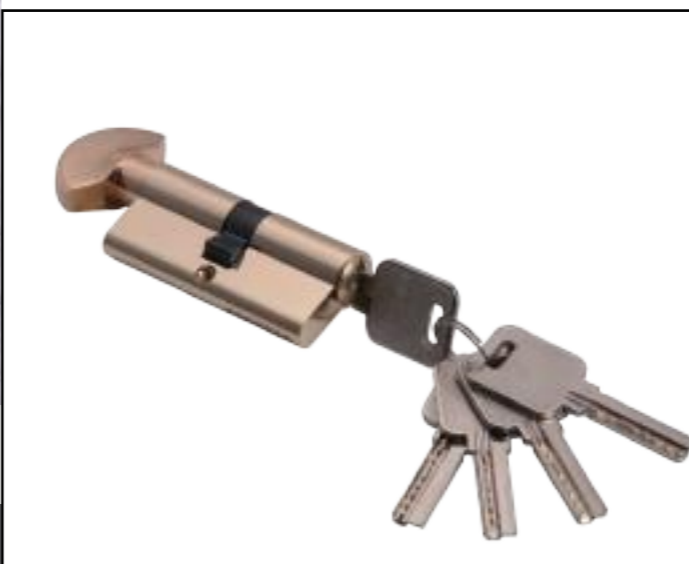
表面处理: 哑光青古铜  
Surface: MAB

材质: 锌合金  
Material: zinc



表面处理: 亮光青古铜  
Surface: SAB

材质: 锌合金  
Material: zinc



表面处理: K金  
Surface: KGP

材质: 锌合金  
Material: zinc



表面处理: 亮铬  
Surface: CP

材质: 锌合金  
Material: zinc



### Computer Key-Knob Cylinder Series

表面处理: 镍拉丝

Surface: SN

材质: 锌合金

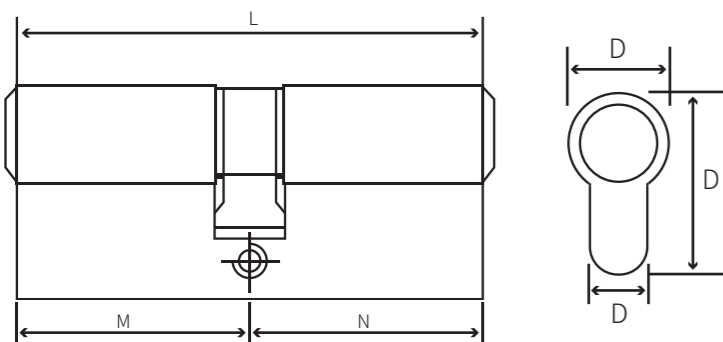
Material: zinc

### S槽双排双开锁芯系列



## Computer Key-Key Cylinder Series

### 大电脑双开锁芯



材质: 锌合金  
Material: Zinc

配置/Provided with:

尺寸: 70mm  
Size: 70mm

螺丝  
screw

表面处理: 铜拉丝  
Surface: SB

钥匙  
keys

规格/Size			外径/Diameter
L	M	N	D
54	27	27	9.5*16.5*32.5
60	30	30	9.8*16.8*32.8
70	35	35	10*17*33
70	30	40	Other size can be customized
80	40	40	
80	35	45	
90	45	45	
90	40	50	
90	30	60	
100	50	50	
110	50	60	



表面处理: 哑光咖啡

材质: 锌合金

Surface: MCF

Material: zinc

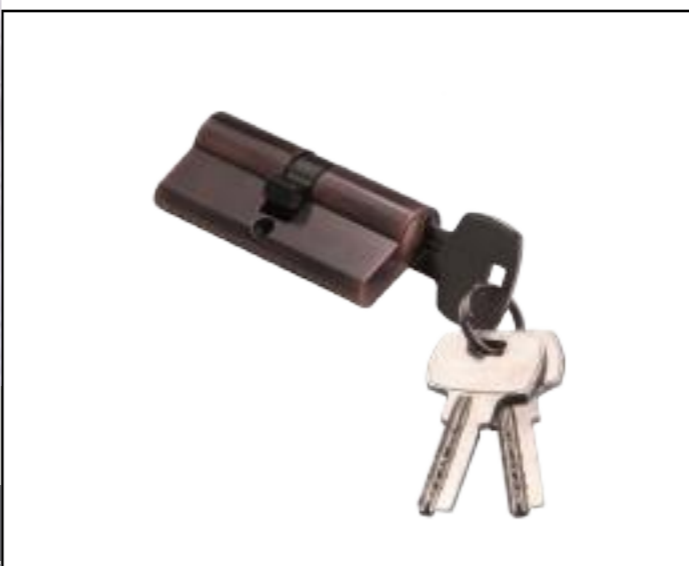


表面处理: 玫瑰金

材质: 铜

Surface: KGB

Material: brass

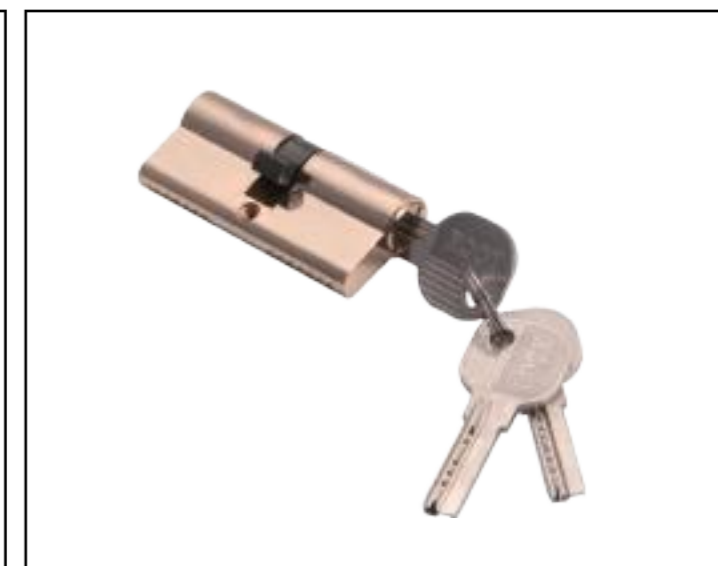


表面处理: 亮光红古铜

材质: 锌合金

Surface: SAC

Material: zinc

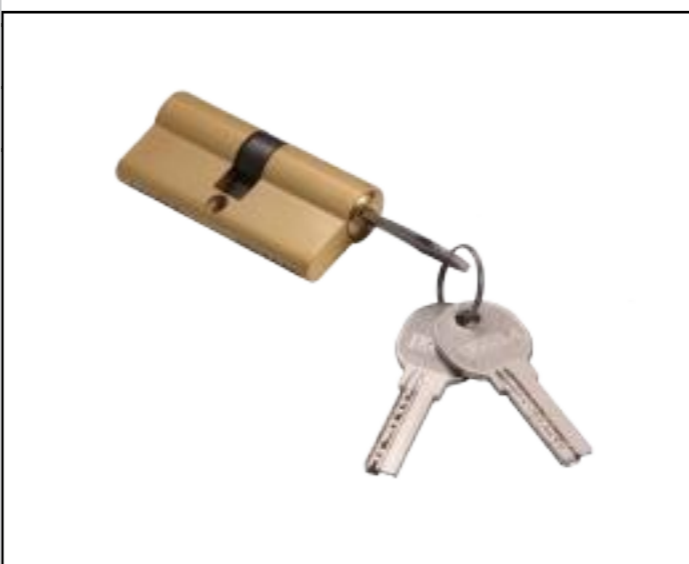


表面处理: K金

材质: 锌合金

Surface: KGP

Material: zinc



表面处理: 铜拉丝

材质: 锌合金

Surface: SB

Material: zinc



表面处理: 亮铬

材质: 锌合金

Surface: CP

Material: zinc



Computer Key-Key Cylinder Series

表面处理: 镍拉丝

Surface: SN

材质: 锌合金

Material: zinc



Computer Key-Key Cylinder Series

表面处理: 亮光青古铜

Surface: SAB

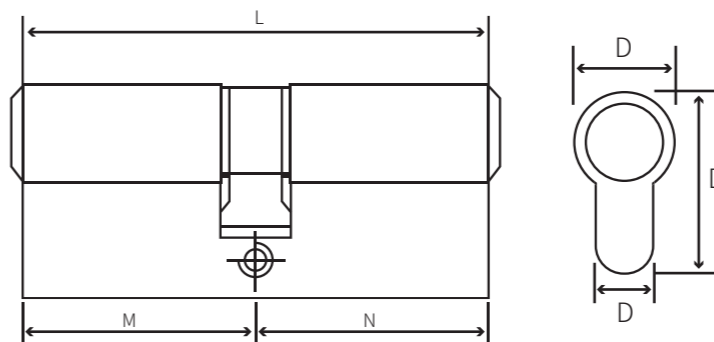
材质: 锌合金

Material: zinc



Normal Double line Key-Key Cylinder Series

S槽双排双开锁芯



材质: 锌合金  
Material: Zinc

尺寸: 70mm  
Size: 70mm

表面处理: K金  
Surface: KGP

配置/Provided with:

螺丝  
screw

钥匙  
keys

规格/Size			外径/Diameter
L	M	N	D
54	27	27	9.5*16.5*32.5
60	30	30	9.8*16.8*32.8
70	35	35	10*17*33
70	30	40	Other size can be customized
80	40	40	
80	35	45	
90	45	45	
90	40	50	
90	30	60	
100	50	50	
110	50	60	



Computer Key-Key Cylinder Series

表面处理: 仿金

Surface: KGP

材质: 锌合金

Material: zinc



Computer Key-Key Cylinder Series

表面处理: 亮铬

Surface: CP

材质: 锌合金

Material: zinc



Normal Double line Key-Key Cylinder Series

表面处理: 镍拉丝

Surface: SN

材质: 锌合金

Material: zinc



Normal Double line Key-Key Cylinder Series

表面处理: 亮铬

Surface: CP

材质: 锌合金

Material: zinc



Normal Double line Key-Key Cylinder Series

表面处理: 哑光咖啡

Surface: MCF

材质: 锌合金

Material: zinc



Normal Double line Key-Key Cylinder Series

表面处理: 哑光青古铜

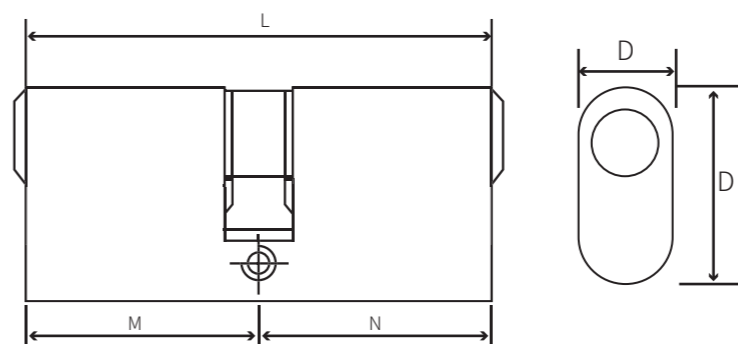
Surface: MAB

材质: 锌合金

Material: zinc

## Ellipse Cylinder Series

### 椭圆锁芯



材质: 锌合金  
Material: Zinc

尺寸: 54mm  
Size: 54mm

表面处理: 仿金  
Surface: KGP

配置/Provided with:

螺丝  
screw

钥匙  
keys

规格/Size			外径/Diameter
L	M	N	D
54	27	27	12.4*26.8





Ellipse Cylinder Series

表面处理:亮镍

Surface:NP

材质:锌合金

Material:zinc



Ellipse Cylinder Series

表面处理:亮铬

Surface:CP

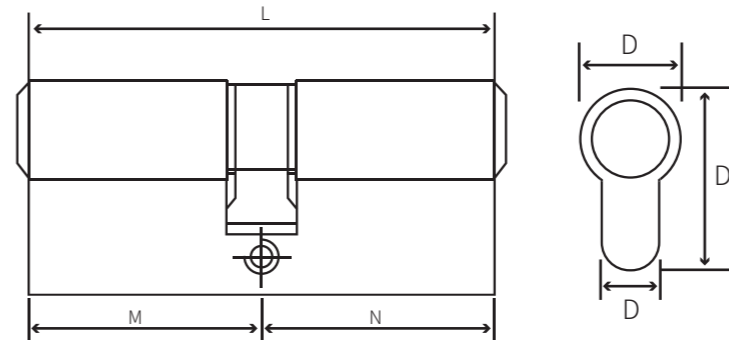
材质:锌合金

Material:zinc



### Blade Key-Knob Cylinder Series

叶片单开锁芯



材质:锌合金  
Material:Zinc

尺寸:70mm  
Size:70mm

表面处理:镍拉丝  
Surface:SN

配置/Provided with:

螺丝  
screw

钥匙  
keys



Ellipse Cylinder Series

表面处理:亮铬

Surface:CP

材质:锌合金

Material:zinc



Ellipse Cylinder Series

表面处理:铜拉丝

Surface:SB

材质:锌合金

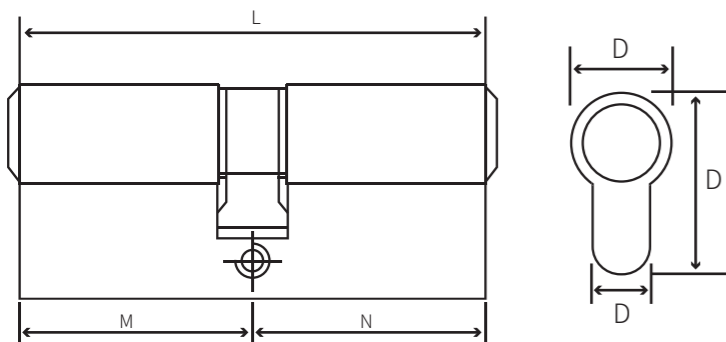
Material:zinc

规格/Size			外径/Diameter
L	M	N	D
54	27	27	9.5*16.5*32.5
60	30	30	9.8*16.8*32.8
70	35	35	10*17*33
70	30	40	Other size can be customized
80	40	40	
80	35	45	
90	45	45	
90	40	50	
90	30	60	
100	50	50	
110	50	60	



## Blade Key-Key Cylinder Series

### 叶片双开锁芯



材质: 锌合金  
Material: Zinc

配置/Provided with:

尺寸: 70mm  
Size: 70mm

螺丝  
screw

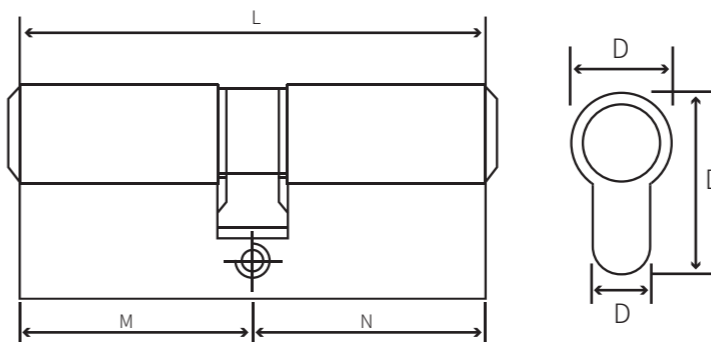
表面处理: 仿金  
Surface: GP

钥匙  
keys

规格/Size			外径/Diameter
L	M	N	D
54	27	27	9.5*16.5*32.5
60	30	30	9.8*16.8*32.8
70	35	35	10*17*33
70	30	40	Other size can be customized
80	40	40	
80	35	45	
90	45	45	
90	40	50	
90	30	60	
100	50	50	
110	50	60	

## BK Series

### BK锁芯



材质: 锌合金  
Material: Zinc

配置/Provided with:

尺寸: 70mm  
Size: 70mm

螺丝  
screw

表面处理: 亮铬  
Surface: CP

钥匙  
keys

规格/Size			外径/Diameter
L	M	N	D
54	27	27	9.5*16.5*32.5
60	30	30	9.8*16.8*32.8
70	35	35	10*17*33
70	30	40	Other size can be customized
80	40	40	
80	35	45	
90	45	45	
90	40	50	
90	30	60	
100	50	50	
110	50	60	



BK series

表面处理: 镍拉丝

Surface: SN

材质: 锌合金

Material: zinc



BK series

表面处理: 亮光红古铜

Surface: SAC

材质: 锌合金

Material: zinc



BK series

表面处理: 仿金

Surface: GP

材质: 锌合金

Material: zinc



BK series

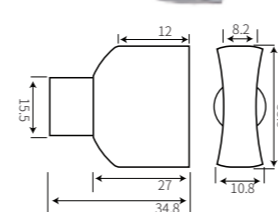
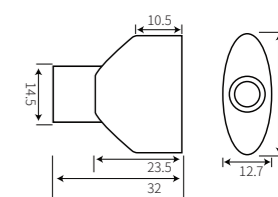
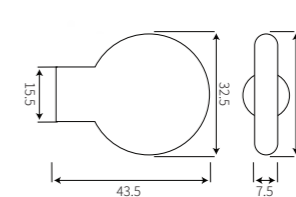
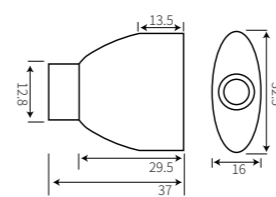
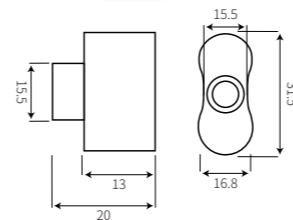
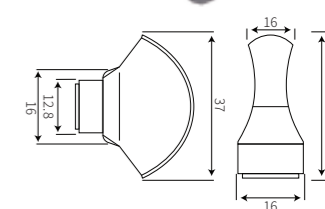
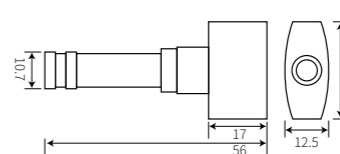
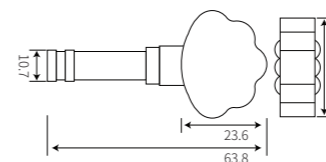
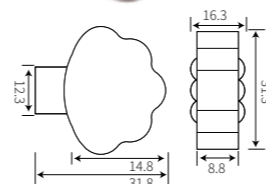
表面处理: 哑光青古铜

Surface: MAB

材质: 锌合金

Material: zinc

## 锌柄 Zinc Knob

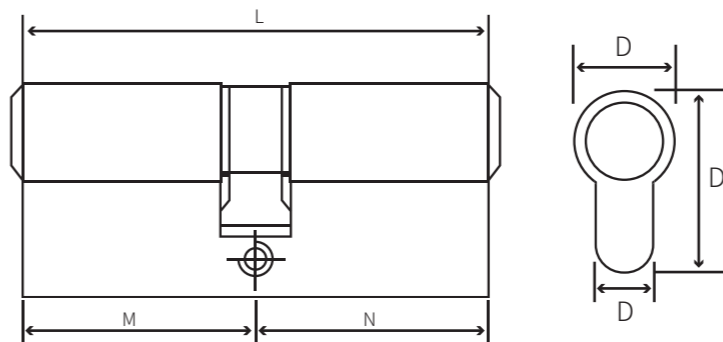


# ALUMINUM SERIES

## 铝系列



### Small Diameter Normal Key-Knob Cylinder Series 小S槽单开锁芯



材质: 铝

Material: Aluminum

配置/Provided with:

尺寸: 70mm

Size: 70mm

螺丝

screw

表面处理: 氧化白

Surface: YB

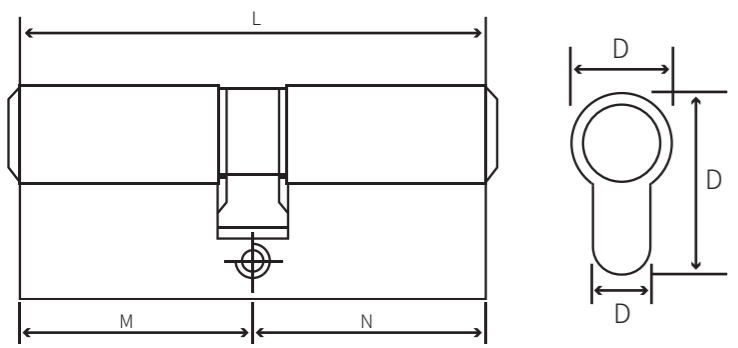
钥匙

keys

规格/Size			外径/Diameter
L	M	N	D
All size	All size	All size	All size



Small Diameter Normal Key-Key Cylinder Series 小S槽双开锁芯



规格/Size			外径/Diameter
L	M	N	D
All size	All size	All size	All size

材质:铝  
Material:Aluminum

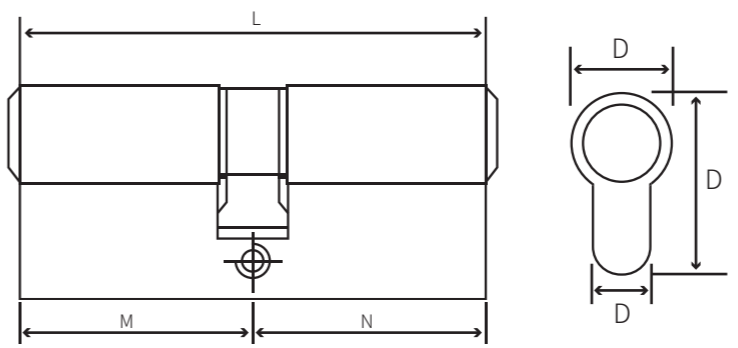
尺寸:70mm  
Size:70mm

表面处理:仿金  
Surface:GP

配置/Provided with:  
螺丝  
screw

钥匙  
keys

Normal Key-Knob Cylinder Series 大S槽单开锁芯



规格/Size			外径/Diameter
L	M	N	D
All size	All size	All size	All size

材质:铝  
Material:Aluminum

尺寸:70mm  
Size:70mm

表面处理:仿金  
Surface:GP

配置/Provided with:  
螺丝  
screw

钥匙  
keys



表面处理:亮铬

材质:铝

Surface:CP

Material:Aluminum



表面处理:亮铬

材质:铝

Surface:CP

Material:Aluminum



表面处理:镍拉丝

材质:铝

Surface:SN

Material:Aluminum



表面处理:氧化白

材质:铝

Surface:YB

Material:Aluminum



大S槽单开锁芯

Normal Key-Knob Cylinder Series

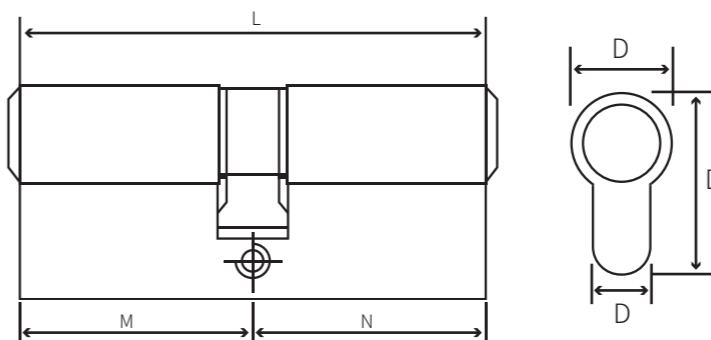
表面处理:亮铬

Surface:CP

材质:铝

Material:Aluminum

Normal Key-Key Cylinder Series 大S槽双开锁芯



材质:铝

Material:Aluminum

配置/Provided with:

尺寸:70mm

Size:70mm

螺丝  
screw

表面处理:仿金

Surface:GP

钥匙  
keys

规格/Size			外径/Diameter
L	M	N	D
All size	All size	All size	All size





Normal Key-Key Cylinder Series

表面处理:氧化白	材质:铝
Surface:YB	Material:Aluminum

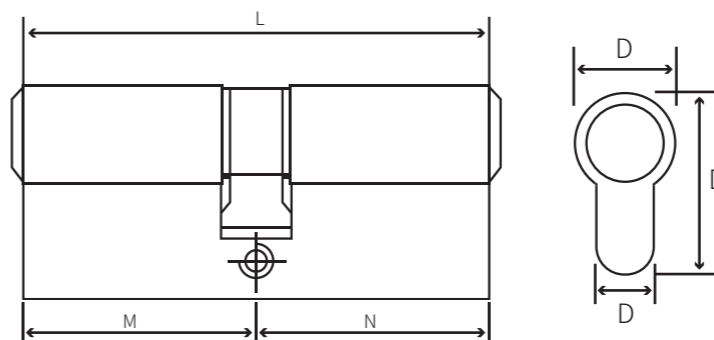


Small Diameter Computer Key-Knob Cylinder Series 小电脑单开锁芯



Normal Key-Key Cylinder Series

表面处理:仿金	材质:铝
Surface:GP	Material:Aluminum



材质:铝	配置/Provided with:
Material:Aluminum	
尺寸:70mm	螺丝
Size:70mm	screw
表面处理:氧化镍	钥匙
Surface:SN	keys

规格/Size			外径/Diameter
L	M	N	D
All size	All size	All size	All size



Small Diameter Computer Key-Knob Cylinder Series

表面处理:粗镍拉丝

Surface:SN

材质:铝

Material:Aluminum



Small Diameter Computer Key-Knob Cylinder Series

表面处理:白色喷砂

Surface:BN

材质:铝

Material:Aluminum



Small Diameter Computer Key-Knob Cylinder Series

表面处理:氧化白

Surface:YB

材质:铝

Material:Aluminum



Small Diameter Computer Key-Knob Cylinder Series

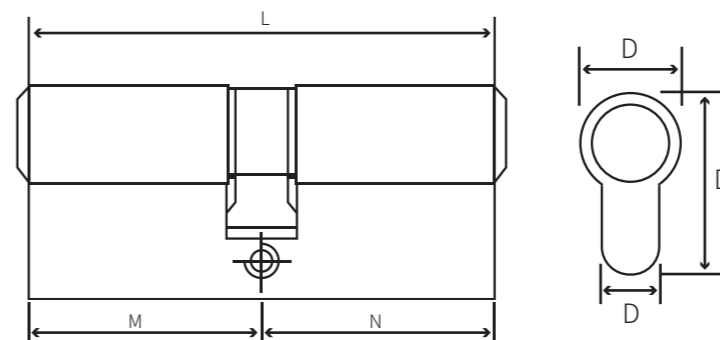
表面处理:黑

Surface:Black

材质:铝

Material:Aluminum

Small Diameter Computer Key-Key Cylinder Series 小电脑双开锁芯



材质:铝  
Material:Aluminum

尺寸:70mm  
Size:70mm

表面处理:镍拉丝  
Surface:SN

配置/Provided with:

螺丝  
screw

钥匙  
keys

规格/Size			外径/Diameter
L	M	N	D
All size	All size	All size	All size





Small Diameter Computer Key-Key Cylinder Series

表面处理: 镍拉丝	材质: 铝
Surface: SN	Material: Aluminum

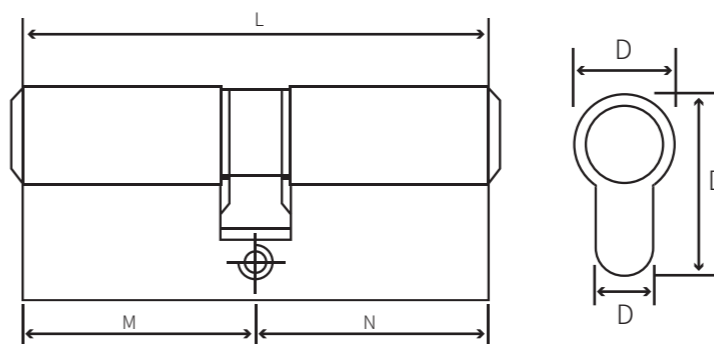


Computer Key-Knob Cylinder Series 大电脑单开锁芯



Small Diameter Computer Key-Key Cylinder Series

表面处理: 氧化白	材质: 铝
Surface: YB	Material: Aluminum



材质: 铝 Material: Aluminum	配置/Provided with:
尺寸: 70mm Size: 70mm	螺丝 screw
表面处理: 镍拉丝 Surface: SN	钥匙 keys

规格/Size			外径/Diameter
L	M	N	D
All size	All size	All size	All size



Computer Key-Knob Cylinder Series

表面处理:亮铬

Surface:CP

材质:铝

Material:Aluminum



Computer Key-Knob Cylinder Series

表面处理:仿金

Surface:GP

材质:铝

Material:Aluminum



Computer Key-Knob Cylinder Series

表面处理:铜拉丝

Surface:SB

材质:铝

Material:Aluminum



Computer Key-Knob Cylinder Series

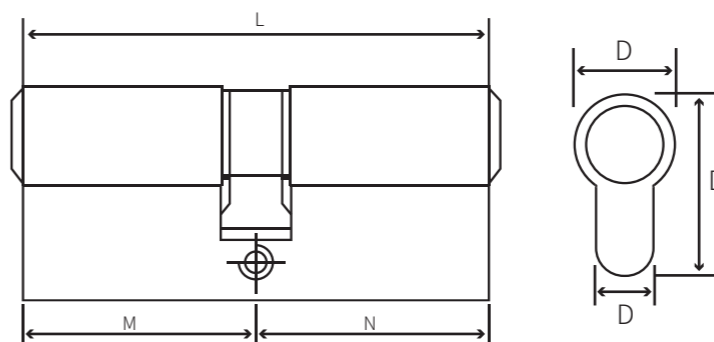
表面处理:亮光青古铜

Surface:SAB

材质:铝

Material:Aluminum

Computer Key-Key Cylinder Series 大电脑双开锁芯



材质:铝  
Material:Aluminum

配置/Provided with:

尺寸:70mm  
Size:70mm

螺丝  
screw

表面处理:氧化镍  
Surface:SN

钥匙  
keys

规格/Size			外径/Diameter
L	M	N	D
All size	All size	All size	All size



表面处理:粗镍拉丝

材质:铝

Surface:SN

Material:Aluminum



表面处理:粗镍拉丝

材质:铝

Surface:SN

Material:Aluminum



表面处理:仿金

材质:铝

Surface:GP

Material:Aluminum



表面处理:仿金

材质:铝

Surface:GP

Material:Aluminum



表面处理:镍拉丝

材质:铝

Surface:SN

Material:Aluminum



表面处理:氧化白

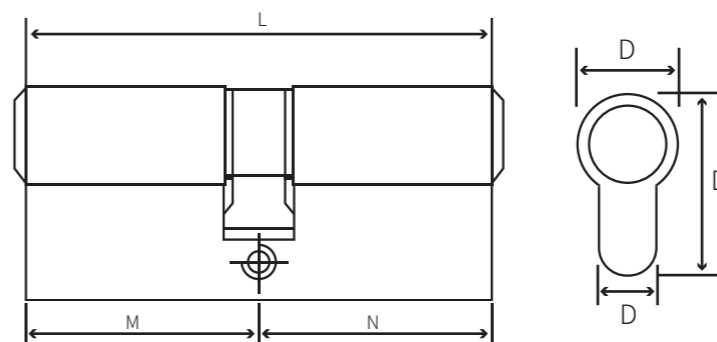
材质:铝

Surface:YB

Material:Aluminum



## Blade Key-Key Cylinder Series 叶片双开锁芯



材质:铝  
Material:Aluminum

配置/Provided with:

尺寸:70mm  
Size:70mm

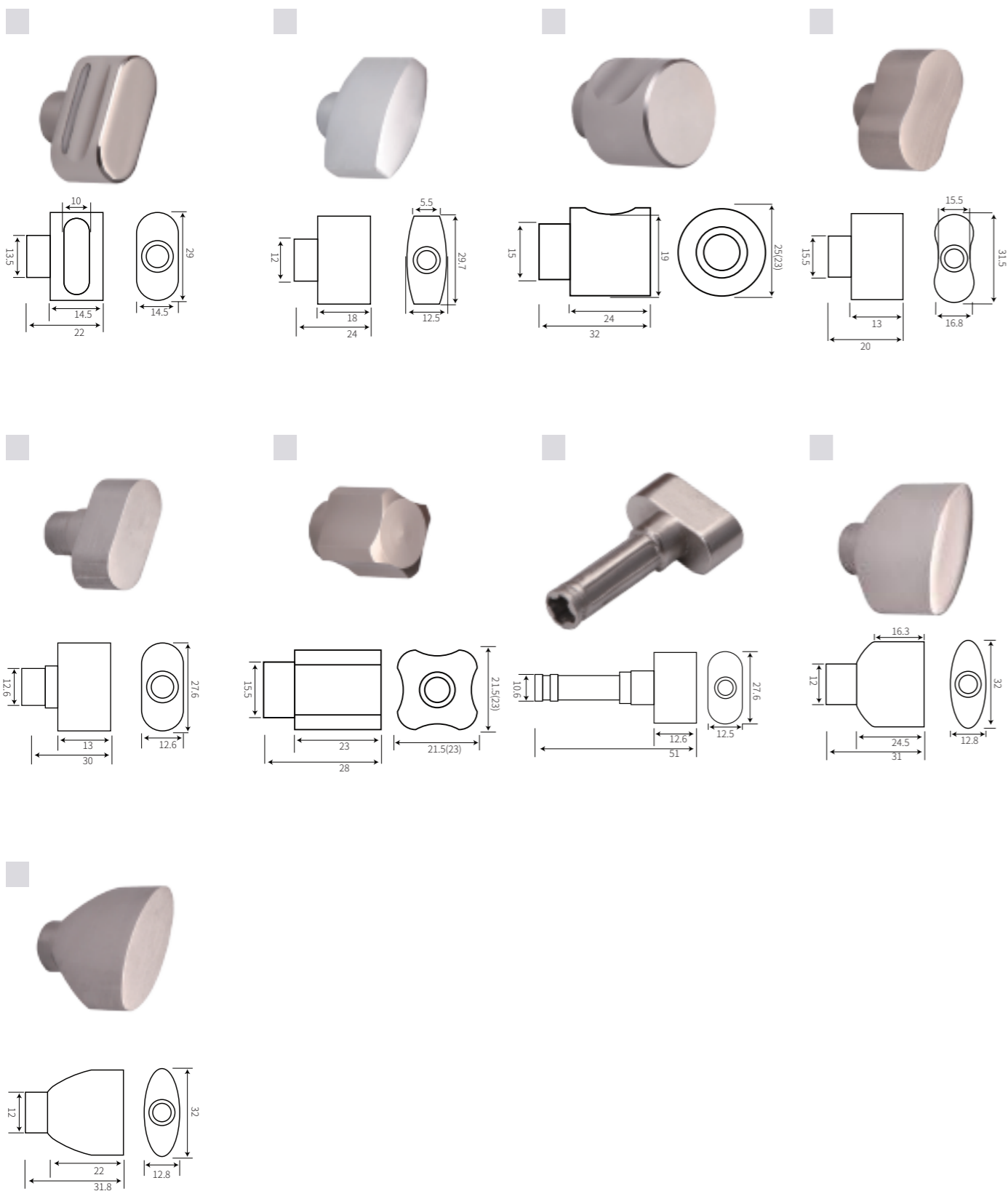
螺丝  
screw

表面处理:仿金  
Surface:GP

钥匙  
keys

规格/Size			外径/Diameter
L	M	N	D
All size	All size	All size	All size

# 铝柄 Aluminum Knob



# KEY SERIES 钥匙系列



■ 铜S槽钥匙系列/Brass Normal Key



■ 铜电脑钥匙系列/Brass Computer Key



■ 双排钥匙/Double Line Key



塑料柄铜钥匙系列/Plastic Handle Key



铁S槽钥匙系列/Iron Normal Key



特殊钥匙系列/Special Key

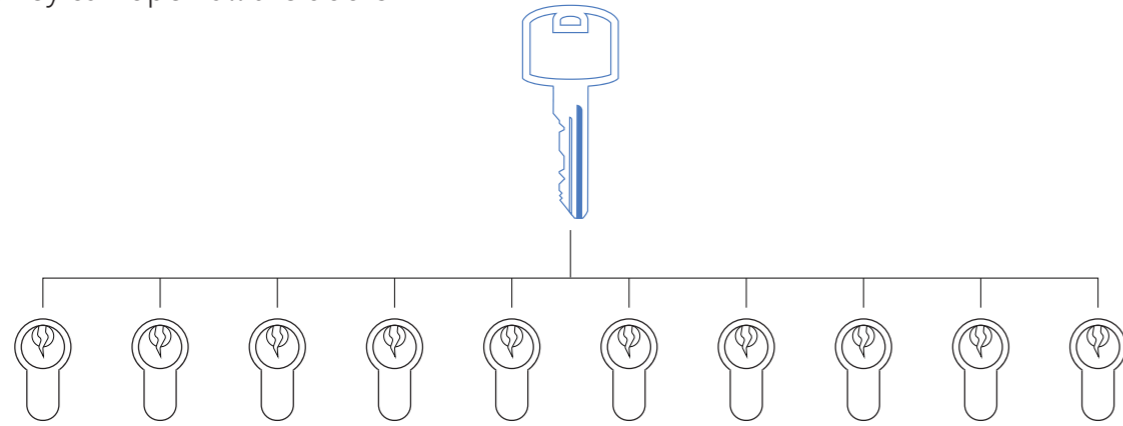


铁电脑钥匙/Iron Computer Key



## ■ 钥匙二级管理系统 Key Mangement Series

■ 一把钥匙可以开启所有的门  
One key can open all the doors



## ■ 钥匙三级管理系统 Key Mangement Series

■ 总钥匙可以开启所有的门，  
管理可以开启自己以下的锁芯  
The head key can open all the doors

